


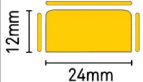


SR Contour Light

CONT V SLM20 MONOCHROMATIC SERIES



SUMMARY

 bending VERTICAL	min. bend radius 12cm	 dimension 12mm 24mm	max length 10m	cutting pitch 100mm 83.3mm
IP IP68	power 24W/m 15.2W/m	beam 150°	color 2200K 4000K BLUE 2400K 5000K GREEN 3000K RED YELLOW	CRI Ra 80+ Ra 90+

DIMMING OPTIONS



ELECTRICAL

Supply voltage: DC24.0V±1.0V

Power range and supply current:

	Power	Current
white/green/blue	24W/m	1000mA/m
red/yellow	15.2W/m	630mA/m

ESD protection: contact 4kV, air 8kV

MECHANICAL

Minimum bending radius: 12cm

Maximum length: 10m

Cutting pitch:

white/green/blue	100mm
red/yellow	83.3mm

IP: IP68

LIFETIME, WARRANTY & CERTIFICATION

Warranty: 2 years*

Lifetime: 50,000 hours, L70/B50@ta 65°C

Certification:

- EN 62031, EN 62471, EN 60598-1, EN 60598-2-1
- EN 55015, EN 61547
- AS/NZS 60598.1, AS/NZS 60598.2.1

* For 5-year warranty, please consult your local sales.

FEATURES

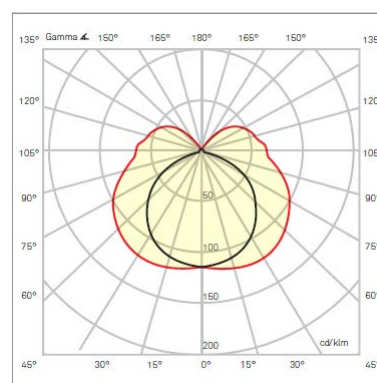
- Excellent thermal dissipation encapsulated with high performance grade silicone material with operating temperature up to maximum ta 65°C
- Designed to be UV and corrosion resistant; compliant to UL 94 V-0 flame-retardant standard
- One of the most robust products designed to withstand up to 1.5m depth (15kPa) for its submersible application
- One of the smallest bend radius, 12cm, available in market to meet various design requirements
- Seamless with no dark spot even at the terminals
- Beautifully crafted to have a tri-directional illumination structure
- SR® LEDShield technology†
- High efficacy luminaire up to 79.1lm/W
- Lifetime: 50,000 hours
- Wide selection of monochromatic colors

LIGHT OUTPUT

Luminaire lumen output:

CCT	822	824	827	830	840	850
lm/m	1570	1880	1850	1900	1900	1900
CCT	922	924	927	930	940	950
lm/m	1270	1270	1500	1500	1570	1570
Color	RED, 622.5nm	YELLOW, 590nm		GREEN, 525nm	BLUE, 467.5nm	
lm/m	480	460		910	330	

Beam angle: 150°



ENVIRONMENT

Ambient temperature: -40°C ... +65°C

Storage temperature: -40°C ... +85°C

Working humidity: 5% to 85%, non-condensing

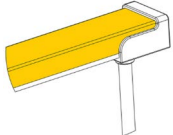
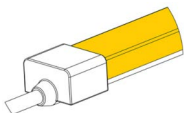
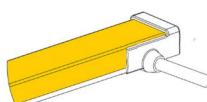
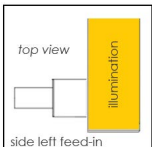
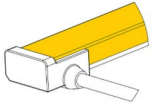
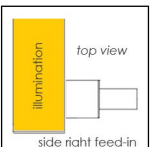
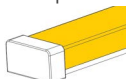
† SR® LEDShield technology: innovative mechanism protecting segment black out from single LED damage due to inappropriate external force applied during installation and handling.



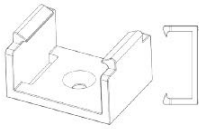
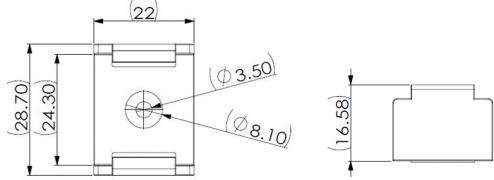

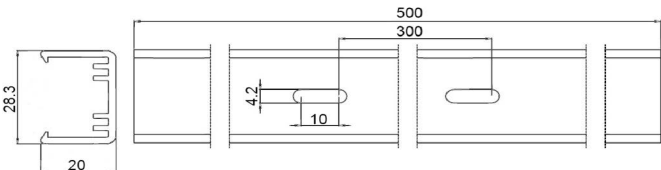
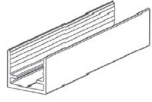
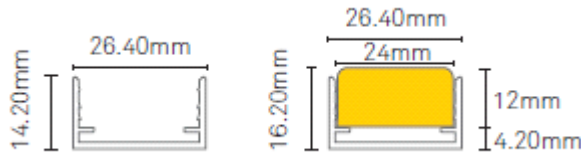
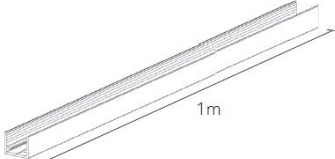
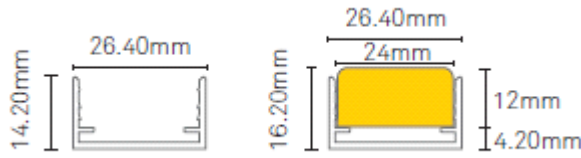

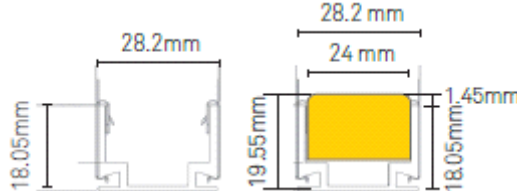
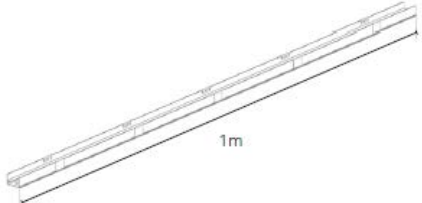
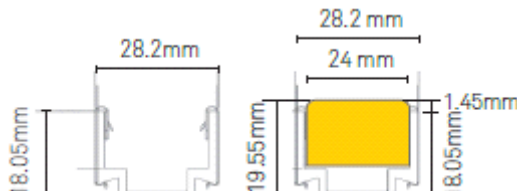
SR Contour Light CONT V SLM20 MONOCHROMATIC



DIMENSIONS

<p>CONT V SLM20 Monochromatic Body</p>		
<p>Molded Bottom Feed-in (MB)</p> 		<p>length added at feed-in: +2.5mm length added at end cap: +2.0mm total strip length: L+2.5mm+2.0mm</p>
<p>Molded End Feed-in (ME)</p> 		<p>length added at feed-in: +4.0mm length added at end cap: +2.0mm total strip length: L+4.0mm+2.0mm</p>
<p>Molded Side Left Feed-in (MSL)</p>  		<p>length added at feed-in: +2.5mm length added at end cap: +2.0mm total strip length: L+2.5mm+2.0mm</p>
<p>Molded Side Right Feed-in (MSR)</p>  		<p>length added at feed-in: +2.5mm length added at end cap: +2.0mm total strip length: L+2.5mm+2.0mm</p>
<p>Flush End Cap</p> 		<p>end cap thickness: 2.0mm</p>

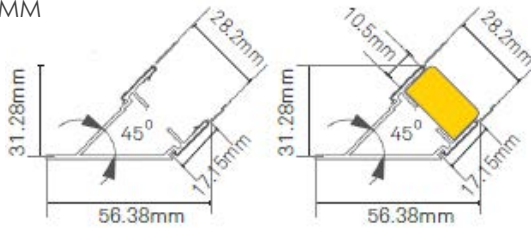
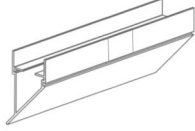
MOUNTING ACCESSORIES

<p>Transparent PC Clip CONT V LM20 TR PC CLIP</p> 	
<p>Transparent PC Profile 500mm CONT V LM20 TR PC PROFILE 500MM</p> 	
<p>50mm Aluminum Clip CONT V LM20 AL CLIP 50MM (not for submersible applications)</p> 	
<p>1m Aluminum Profile CONT V LM20 AL PROFILE 1M (not for submersible applications)</p> 	
<p>50mm Aluminum Clip with Anti-Skids CONT V LM20 AL CLIP AS 50MM (not for submersible applications)</p> 	
<p>1m Aluminum Profile with Anti-Skids CONT V LM20 AL PROFILE AS 1M (not for submersible applications)</p> 	

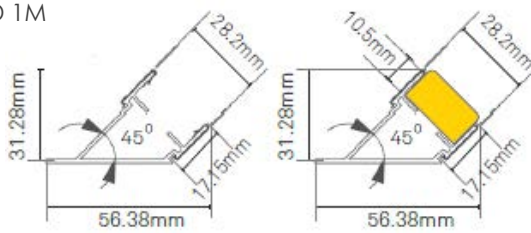
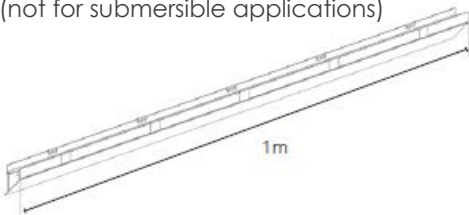
SR Contour Light CONT V SLM20 MONOCHROMATIC



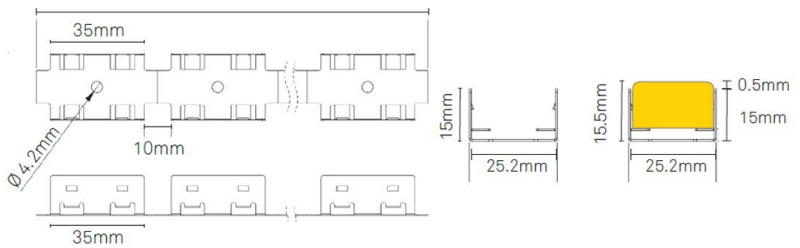
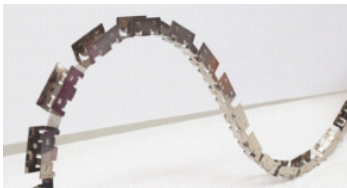
50mm Aluminum Clip with Anti-Skids, 45°Angled
CONT V LM20 AL CLIP AS 45D ANGLED 50MM
(not for submersible applications)



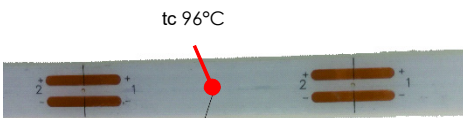
1m Aluminum Profile with Anti-Skids, 45°Angled
CONT V LM20 AL PROFILE AS 45D ANGLED 1M
(not for submersible applications)



1m Stainless Steel Curve Profile
CONT V LM20 SS CURVE PROFILE 1M
(not for submersible applications)

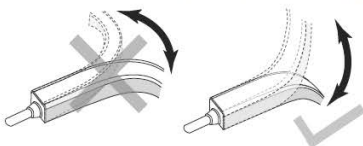


CASE TEMPERATURE

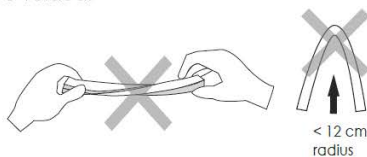


CAUTIONS

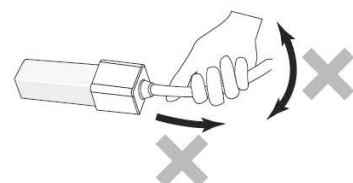
- Ensure mains power is switched OFF before carrying out installation, maintenance or replacement operations.
- The Contour Light should be installed by qualified electrical personnel and complying with local codes.
- The power supply should be sized appropriately to adequately power the load with the correct voltage and power ratings; It is generally recommended to have at least 10% power buffer.
- Lightning / Surge protection should be used if not already built into the power supply.
- **DO NOT CUT** the light strip or warranty will be voided.



DO NOT BEND the fixture in the wrong direction. If bent horizontally, the fixture can be damaged.



DO NOT TWIST the fixture or **BEND** at less than 12cm radius.

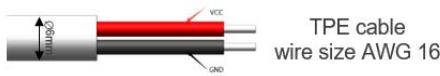


DO NOT STRESS OR PULL HARD on the lead-in cables, nor handle it using the feed-in cables.

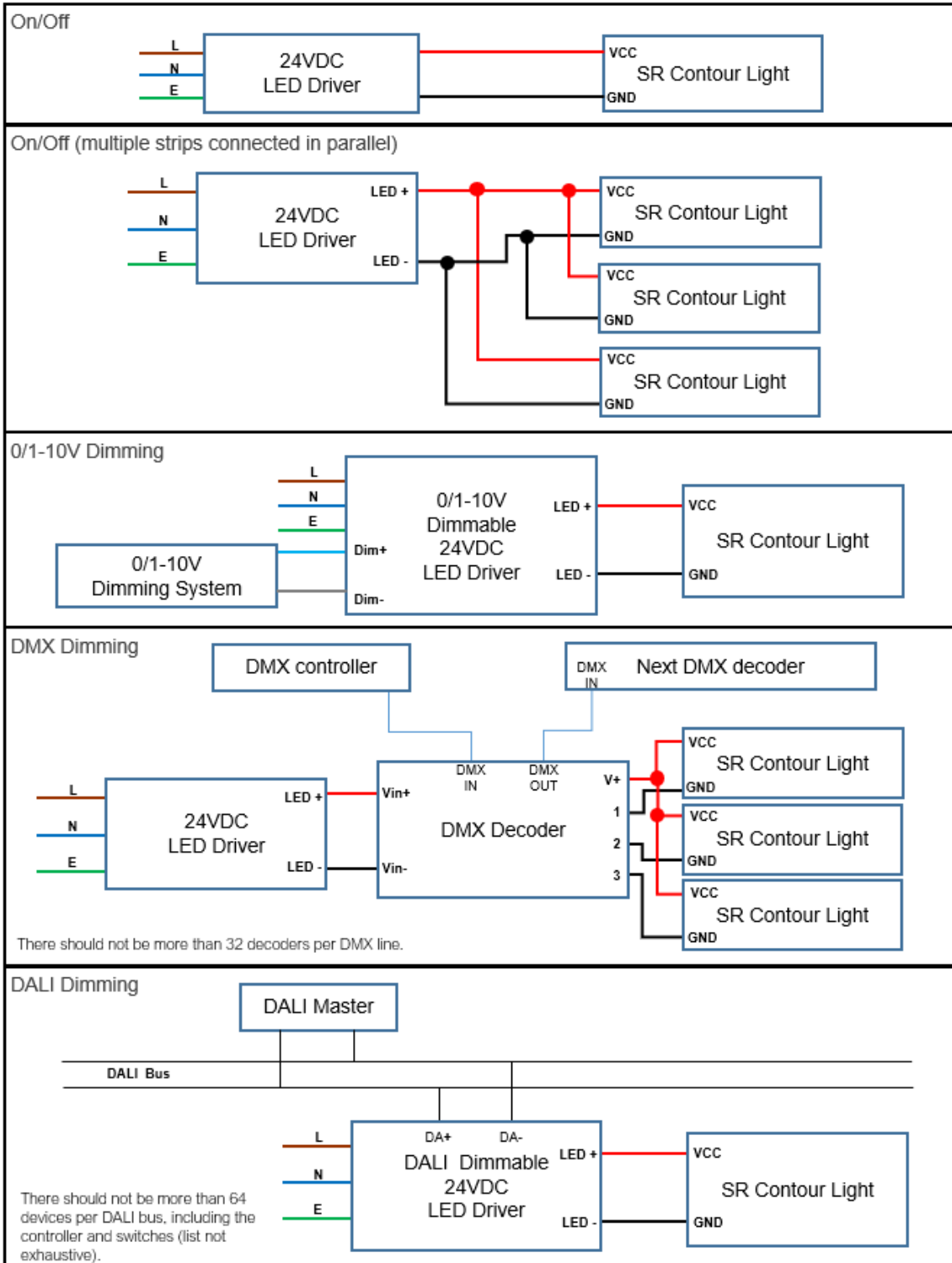
SR Contour Light CONT V SLM20 MONOCHROMATIC



WIRING



CONNECTIONS



SR Contour Light CONT V SLM20 MONOCHROMATIC



ORDERING INFORMATION

SR Contour Light	Feed-in Cable Direction	Color	Length
CONT V SLM20	MB (bottom feeder)	822	xM (x = length in meters, max 10m)
		824	
		827	
		830	
		840	
	ME (end feeder)	850	
		922	
		924	
	MSL (side feeder left)	927	
		930	
	MSR (side feeder right)	940	
		950	
		RED	
		YELLOW	
		GREEN	
	BLUE		

Example:

CONT V SLM20 MB 830 10M refers to SR Contour Light CONT V SLM20 Monochromatic Series, CRI Ra80+, CCT 3000K, molded bottom feed-in, tube end cap, 10meters in length.

Accessory Part Number	Description
CONT V LM20 TR PC CLIP	transparent PC clip
CONT V LM20 TR PC PROFILE 500MM	transparent PC profile, 0.5m
CONT V LM20 AL CLIP 50MM *	aluminum clip, 50mm
CONT V LM20 AL PROFILE 1M *	aluminum profile, 1m
CONT V LM20 AL CLIP AS 50MM *	aluminum clip with anti-skids (2pcs, 1pc per side), 50mm
CONT V LM20 AL PROFILE AS 1M *	aluminum profile with anti-skids (10pcs, 5pcs per side), 1m
CONT V LM20 AL CLIP AS 45D ANGLED 50MM *	aluminum clip with anti-skids (2pcs, 1pc per side), 45°angled, 50mm
CONT V LM20 AL PROFILE AS 45D ANGLED 1M *	aluminum profile with anti-skids (10pcs 5pcs per side) 45°angled, 1m
CONT V LM20 SS CURVE PROFILE 1M *	stainless steel curve profile, 1m

*Accessory not intended for submersible applications.

LED Driver Part Number	Description	Estimated Maximum Strip Length L [‡]
SAV-060N024X02HQA	60W 24V Constant Voltage LED Driver	2m
SAV-096N024X400Q	96W 24V Constant Voltage LED Driver	3.2m
SAV-150N024X625Q	150W 24V Constant Voltage LED Driver	5m

‡ System design will vary depending on actual project configuration. Please consult your local sales support for detailed strip length calculations, connecting cable type and length calculations

Disclaimer: Data might vary due to equipment tolerance. Manufacturer reserves the right to make changes to information published in this document, including without limitation specifications and product descriptions, at any time and without notice.