
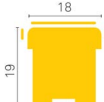


SR Contour Light

CONT H AURAS OUTDOOR PX SPI RGB-W SERIES



SUMMARY

bend dir.  HORIZONTAL	min bend radius 10cm	dimension 	max length 8m	cutting pitch 100mm
IP IP67	power 18.7W/m	beam 120°	color 2200K 3000K +2400K 4000K 2700K 5000K	pixel/m 10

DIMMING OPTION



ELECTRICAL

Supply voltage: DC24.0V±1.0V

Power range and supply current:

Power	Current
18.7W/m	780mA/m

ESD protection: contact 4kV, air 8kV

Pixels per meter: 10

MECHANICAL

Minimum bending radius: 10cm

Maximum length: 8m

Cutting pitch: 100mm

IP: IP67

LIFETIME, WARRANTY & COMPLIANCE

Warranty: 2 years*

Lifetime: 50,000 hours, L70/B50 at t_a 65°C

Compliance:

- EN 62031, EN 62471, EN 60598-1, EN 60598-2-1
- EN 55015, EN 61547
- AS/NZS 60598.1, AS/NZS 60598.2.1

* For 5-year warranty, please consult your local sales.

FEATURES

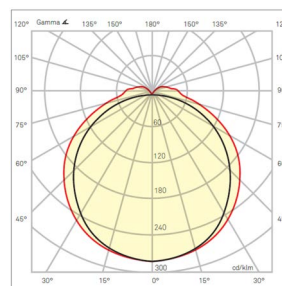
- Excellent thermal dissipation encapsulated with high performance grade silicone material with operating temperature up to maximum t_a 65°C
- Designed to be UV and corrosion resistant; compliant to UL 94 V-0 flame-retardant standard
- Seamless with no dark spot even at the terminals
- Lifetime: 50,000 hours
- Direct Artnet-to-SPI interlace; 3072 channels per SPI output line; synchronized Artnet data through ArtSync
- Linear daisy-chain of Artnet-to-SPI interfaces of up to 36 controllers per line
- Maximum operational frame rate: 48fps
- Up to 152m of Contour Light daisy-chained data lines per controller
- Up to 50m input shield twisted pair data cable from controller to Contour Light

LIGHT OUTPUT

Luminaire lumen output†:

Color	RED, 621nm		GREEN, 532nm		BLUE, 467nm	
lm/m	65		144		26	
CCT	822	824	827	830	840	850
lm/m	205	214	231	240	248	248
CCT	922	924	927	930	940	950
lm/m	177	184	200	205	213	213

Beam angle: 120°



ENVIRONMENT

Ambient temperature: -40°C ... +65°C


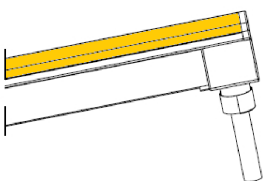
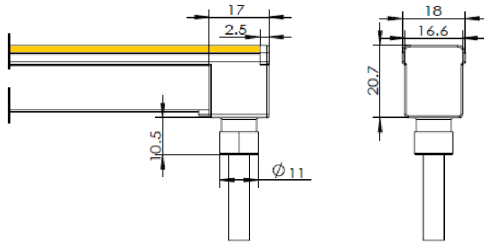
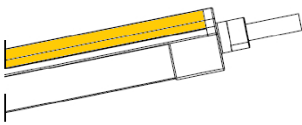
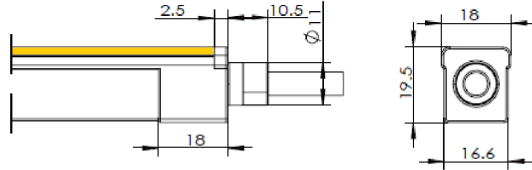
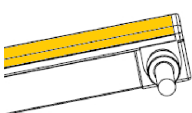
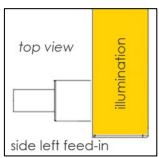
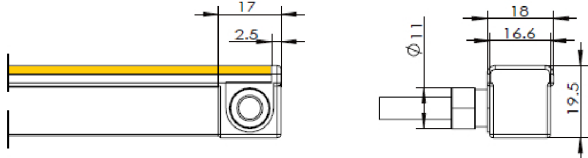
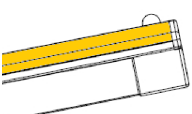
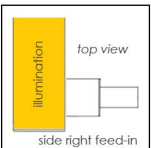
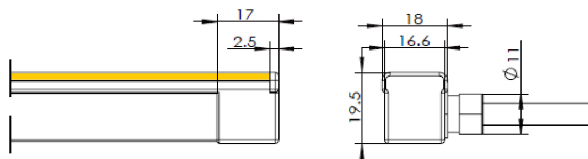
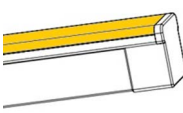
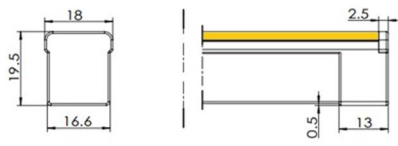
Storage temperature: -40°C ... +85°C

Working humidity: 5% to 85%, non-condensing

† Total luminaire lumen output for CONT H AURAS ORS18 PX SPI RGB-W 830 is 475lm/m, CONT H AURAS ORS18 PX SPI RGB-W 930 is 441lm/m.



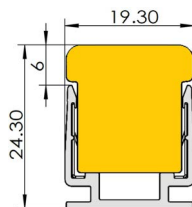
DIMENSIONS

<p>CONT H AURAS ORS Body</p>	 <p style="text-align: center;">$L \leq 8m$</p>
<p>Injection Bottom Feed-in (JB)</p> 	
<p>Injection End Feed-in (JE)</p> 	
<p>Injection Side Left Feed-in (JSL)</p>  	
<p>Injection Side Right Feed-in (JSR)</p>  	
<p>Injection End Cap</p> 	

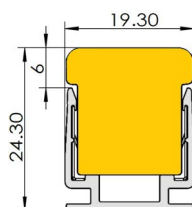
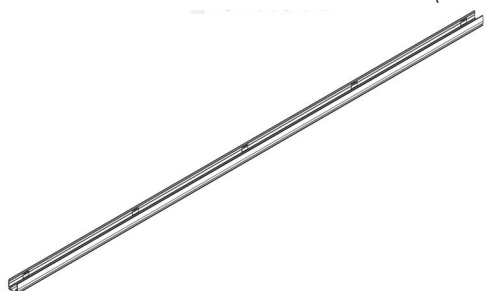
Additional length added to body length L is 5mm with any one feed-in (added 2.5mm) and end cap (added 2.5mm).

MOUNTING ACCESSORIES

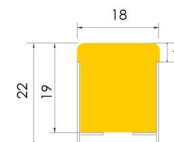
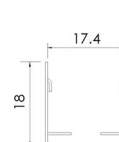
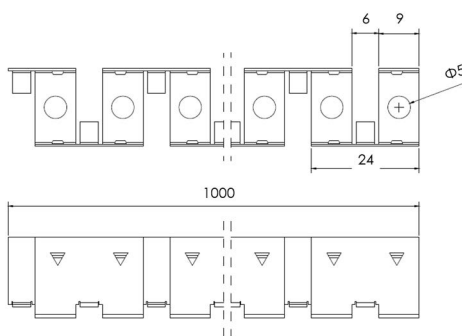
CONT AURAS RS AL CLIP AS 50MM (aluminum clip with anti-skids, 50mm)



CONT AURAS RS JBE AL PROFILE AS 1M (aluminum profile with anti-skids for bottom feed-in, 1m)
 CONT AURAS RS JSL AL PROFILE AS 1M (aluminum profile with anti-skids for side left feed-in, 1m)
 CONT AURAS RS JSR AL PROFILE AS 1M (aluminum profile with anti-skids for side right feed-in, 1m)



CONT AURAS SS CURVE PROFILE 1M (stainless steel profile, 1m)





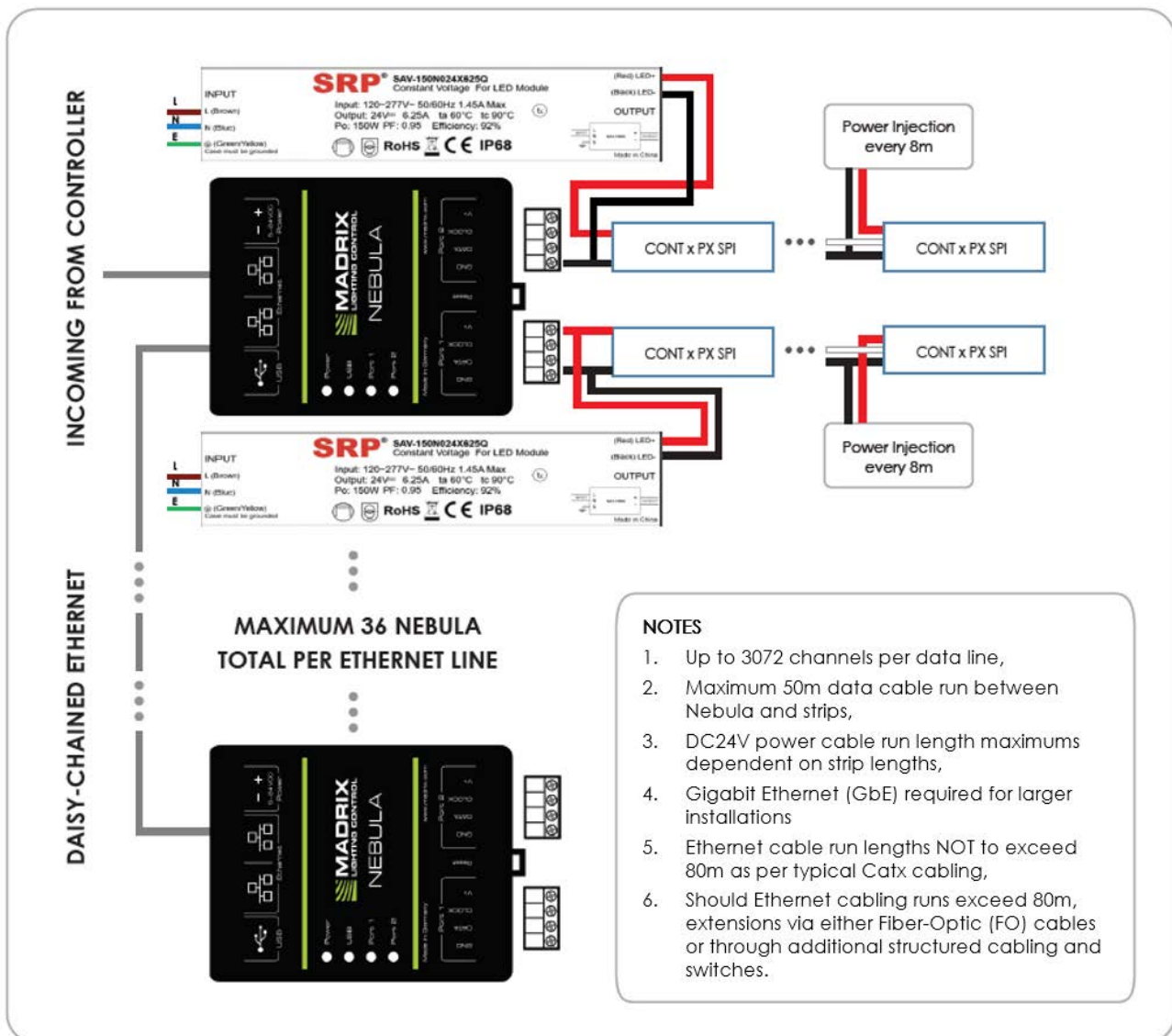
WIRING

input/output

TPE cable outer diameter: Ø6mm

wire color	function	wire size
red	VCC	AWG 18
black	GND	AWG 18
white	DATA	AWG 18

CONNECTIONS



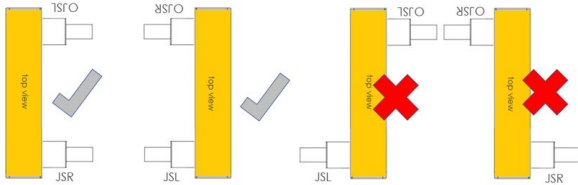
SR Contour Light CONT H AURAS OUTDOOR PX SPI RGB-W



ORDERING INFORMATION

SR Contour Light	Model	Feed-in Cable Direction	Feed-out Cable Direction	Signal Control	Color	CCT	Length
CONT H AURAS	ORS18	JB (bottom feeder)	OJB (bottom feeder)	PX SPI	RGB-W	822	xM (x = length in meters, max 8m)
		JE (end feeder)	OJE (end feeder)			824	
		JSL * (side feeder left)	OJSL * (side feeder left)			827	
		JSR * (side feeder right)	OJSR * (side feeder right)			830	
		<empty> (no output)				840	
						850	
		922					
		924					
		927					
		930					
		940					
		950					

* Note on Side Feed-in and Side Feed-out



Example:

CONT H AURAS ORS18 JB OJB PX SPI RGB-W 830 8M refers to SR Contour Light CONT H AURAS OUTDOOR PX SPI RGB-W Series, SPI control pixelated RGB-W with white (CRI Ra80+, CCT 3000K), injection bottom feed-in, injection bottom feed-out, 8meters in length.

CONT H AURAS ORS18 JB PX SPI RGB-W 830 8M refers to SR Contour Light CONT H AURAS OUTDOOR PX SPI RGB-W Series, SPI control pixelated RGB-W with white (CRI Ra80+, CCT 3000K), injection bottom feed-in, no feed-out, 8meters in length.

Accessory Ordering Code	Description
CONT AURAS RS AL CLIP AS 50MM	aluminum clip with anti-skids, 50mm
CONT AURAS RS JBE AL PROFILE AS 1M	aluminum profile with anti-skids for bottom feed-in and end feed-in, 1m
CONT AURAS RS JSL AL PROFILE AS 1M	aluminum profile with anti-skids for side left feed-in, 1m
CONT AURAS RS JSR AL PROFILE AS 1M	aluminum profile with anti-skids for side right feed-in, 1m
CONT AURAS RS SS CURVE PROFILE 1M	stainless steel curve profile, 1m

LED Driver Ordering Code	Description
SBV 040N024X167Q	40W 24V Constant Voltage LED Driver
SAV-060N024X02HQA	60W 24V Constant Voltage LED Driver
SAV-096N024X400Q	96W 24V Constant Voltage LED Driver
SAV-150N024X625Q	150W 24V Constant Voltage LED Driver

Note: System design will vary depending on actual project configuration. Please consult your local sales support for details in length in series connection, connecting cable type and lengths.

Disclaimer: Data may vary due to equipment tolerance. The manufacturer reserves the right to modify information published in this document—including specifications, dimensions and product descriptions—at any time without notice.