
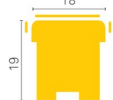


SR Contour Light

CONT H AURAS OUTDOOR PX SPI RGB-W SERIES



SUMMARY

bend dir.  HORIZONTAL	min bend radius 10cm	dimension 	max length 8m	cutting pitch 100mm
IP IP67	power 18.7W/m	beam 120°	color 2200K 3000K +2400K 4000K 2700K 5000K	pixel/m 10

DIMMING OPTION



ELECTRICAL

Supply voltage: DC24.0V±1.0V

Power range and supply current:

Power	Current
18.7W/m	780mA/m

ESD protection: contact 4kV, air 8kV

Pixels per meter: 10

MECHANICAL

Minimum bending radius: 10cm

Maximum length: 8m

Cutting pitch: 100mm

IP: IP67

LIFETIME, WARRANTY & COMPLIANCE

Warranty: 2 years*

Lifetime: 50,000 hours, L70/B50 at ta 65°C

Compliance:

- EN 62031, EN 62471, EN 60598-1, EN 60598-2-1
- EN 55015, EN 61547
- AS/NZS 60598.1, AS/NZS 60598.2.1

* For 5-year warranty, please consult your local sales.

FEATURES

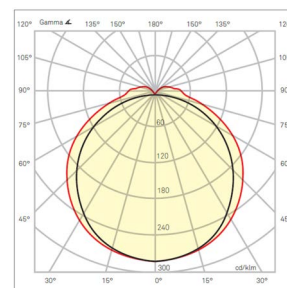
- Excellent thermal dissipation encapsulated with high performance grade silicone material with operating temperature up to maximum ta 65°C
- Engineered for UV and corrosion resistance, and compliant with the UL 94 V-0 flammability standard
- Seamless with no dark spot even at the terminals
- Lifetime: 50,000 hours
- Direct Artnet-to-SPI interlace; 3072 channels per SPI output line; synchronized Artnet data through ArtSync
- Linear daisy-chain of Artnet-to-SPI interfaces of up to 36 controllers per line
- Maximum operational frame rate: 48fps
- Up to 152m of Contour Light daisy-chained data lines per controller
- Up to 50m input shield twisted pair data cable from controller to Contour Light
- Design Registration (30202501104Q) - Singapore Registered Designs Act

LIGHT OUTPUT

Luminaire lumen output†:

Color	RED, 621nm		GREEN, 532nm		BLUE, 467nm	
lm/m	65		144		26	
CCT	822	824	827	830	840	850
lm/m	205	214	231	240	248	248
CCT	922	924	927	930	940	950
lm/m	177	184	200	205	213	213

Beam angle: 120°



ENVIRONMENT

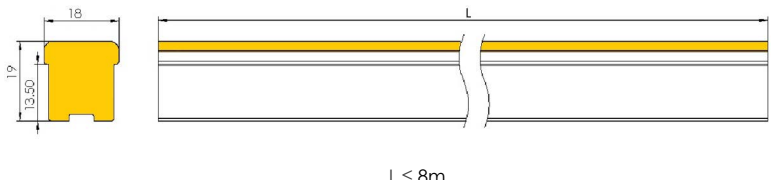
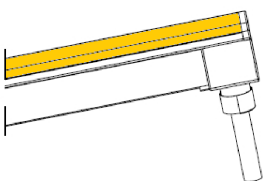
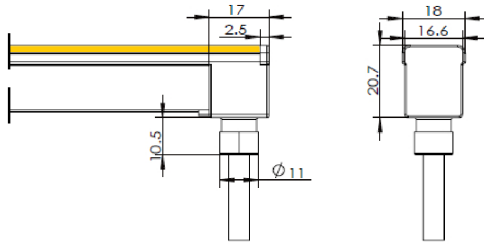
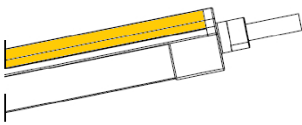
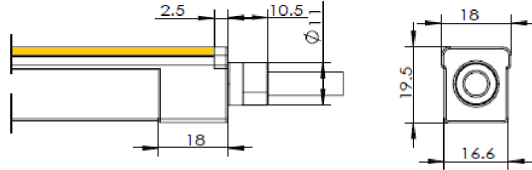
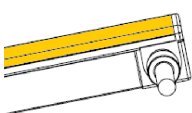
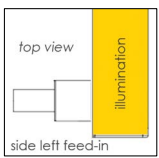
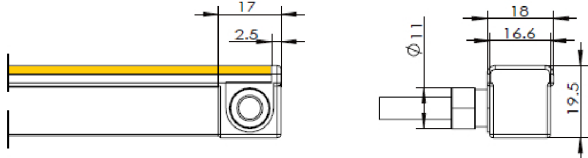
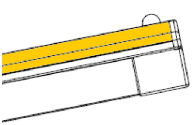
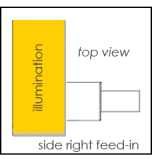
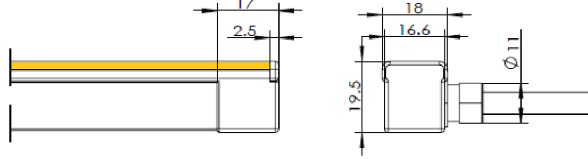
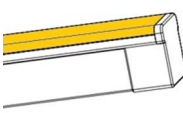
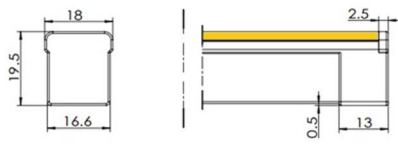
Ambient temperature: -40°C ... +65°C

Storage temperature: -40°C ... +85°C

Working humidity: 5% to 85%, non-condensing

† Total luminaire lumen output for CONT H AURAS ORS18 PX SPI RGB-W 830 is 475lm/m, CONT H AURAS ORS18 PX SPI RGB-W 930 is 441lm/m.

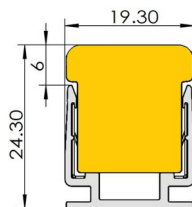
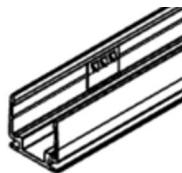
DIMENSIONS

<p>CONT H AURAS ORS Body</p>	 <p style="text-align: center;">$L \leq 8m$</p>
<p>Injection Bottom Feed-in (JB)</p> 	
<p>Injection End Feed-in (JE)</p> 	
<p>Injection Side Left Feed-in (JSL)</p>  	
<p>Injection Side Right Feed-in (JSR)</p>  	
<p>Injection End Cap</p> 	

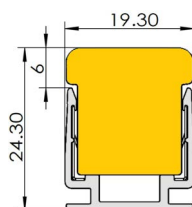
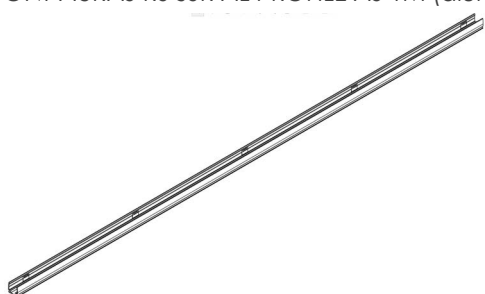
Additional length added to body length L is 5mm with any one feed-in (added 2.5mm) and end cap (added 2.5mm).

MOUNTING ACCESSORIES

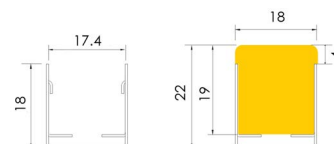
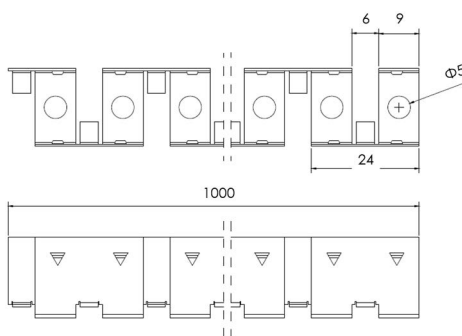
CONT AURAS RS AL CLIP AS 50MM (aluminum clip with anti-skids, 50mm)



CONT AURAS RS JBE AL PROFILE AS 1M (aluminum profile with anti-skids for bottom feed-in, 1m)
 CONT AURAS RS JSL AL PROFILE AS 1M (aluminum profile with anti-skids for side left feed-in, 1m)
 CONT AURAS RS JSR AL PROFILE AS 1M (aluminum profile with anti-skids for side right feed-in, 1m)



CONT AURAS SS CURVE PROFILE 1M (stainless steel profile, 1m)

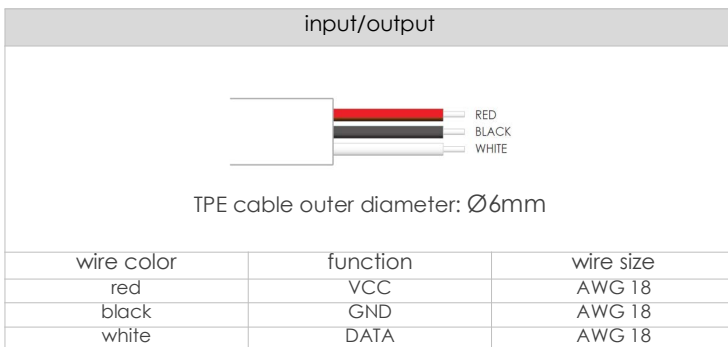


Note: All profile dimensions are subject to a manufacturing tolerance of $\pm 5\%$ unless otherwise specified.

SR Contour Light CONT H AURAS OUTDOOR PX SPI RGB-W

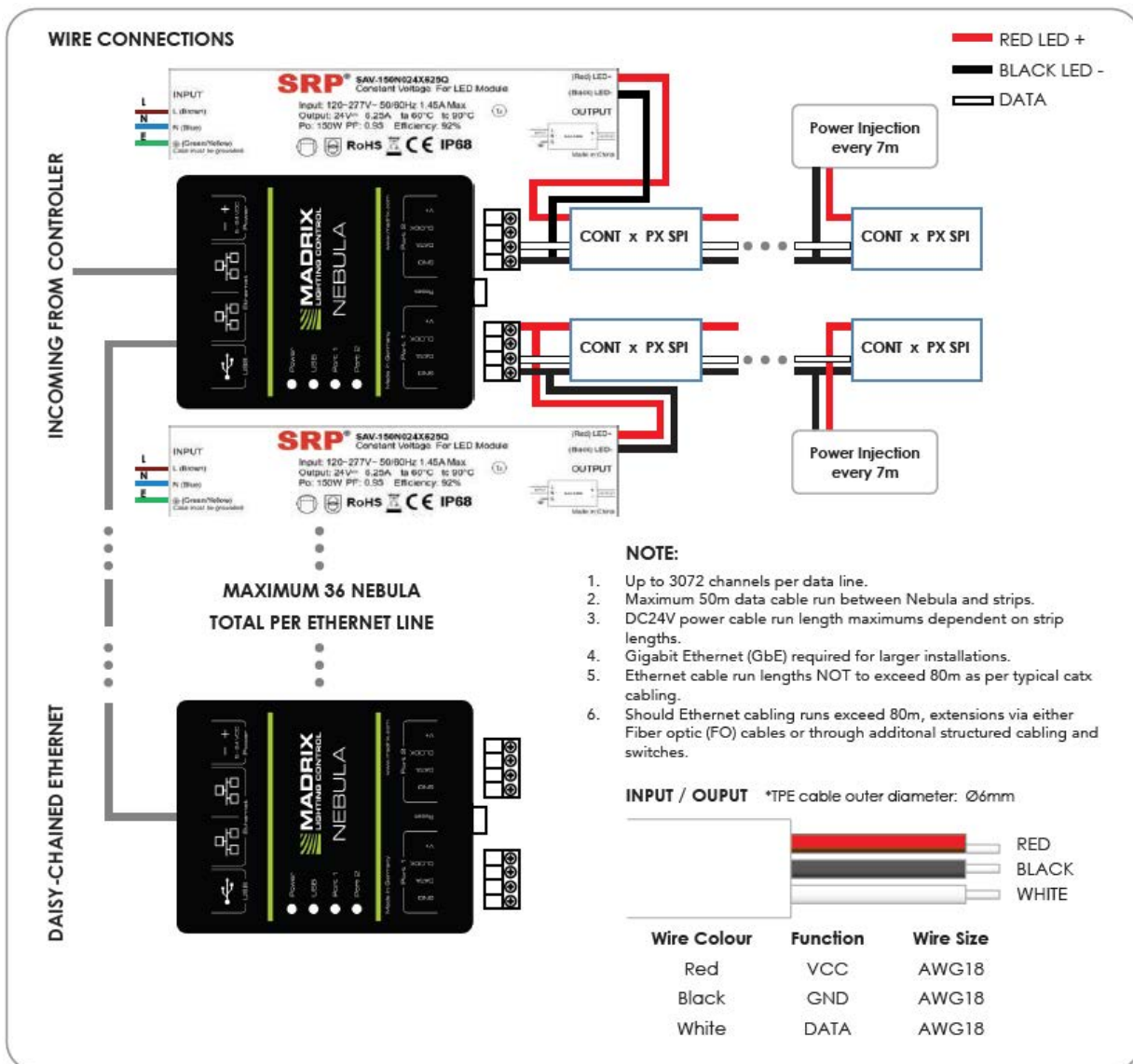


WIRING



Note: All Contour Lights come standard with 500mm feed-in/out cable.

CONNECTIONS



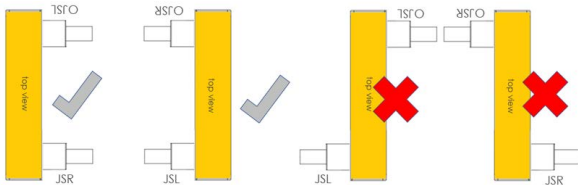
SR Contour Light CONT H AURAS OUTDOOR PX SPI RGB-W



ORDERING INFORMATION

SR Contour Light	Model	Feed-in Cable Direction	Feed-out Cable Direction	Signal Control	Color	CCT	Length
CONT H AURAS	ORS18	JB (bottom feeder)	OJB (bottom feeder)	PX SPI	RGB-W	822	xM (x = length in meters, max 8m)
		JE (end feeder)	OJE (end feeder)			824	
		JSL * (side feeder left)	OJSL * (side feeder left)			827	
		JSR * (side feeder right)	OJSR * (side feeder right)			830	
		<empty> (no output)				840	
						850	
		922					
		924					
		927					
		930					
		940					
		950					

* Note on Side Feed-in and Side Feed-out



Example:

CONT H AURAS ORS18 JB OJB PX SPI RGB-W 830 8M refers to SR Contour Light CONT H AURAS OUTDOOR PX SPI RGB-W Series, SPI control pixelated RGB-W with white (CRI Ra80+, CCT 3000K), injection bottom feed-in, injection bottom feed-out, 8meters in length.

CONT H AURAS ORS18 JB PX SPI RGB-W 830 8M refers to SR Contour Light CONT H AURAS OUTDOOR PX SPI RGB-W Series, SPI control pixelated RGB-W with white (CRI Ra80+, CCT 3000K), injection bottom feed-in, no feed-out, 8meters in length.

Accessory Ordering Code	Description
CONT AURAS RS AL CLIP AS 50MM	aluminum clip with anti-skids, 50mm
CONT AURAS RS JBE AL PROFILE AS 1M	aluminum profile with anti-skids for bottom feed-in and end feed-in, 1m
CONT AURAS RS JSL AL PROFILE AS 1M	aluminum profile with anti-skids for side left feed-in, 1m
CONT AURAS RS JSR AL PROFILE AS 1M	aluminum profile with anti-skids for side right feed-in, 1m
CONT AURAS RS SS CURVE PROFILE 1M	stainless steel curve profile, 1m

LED Driver Ordering Code	Description
SBV 040N024X167Q	40W 24V Constant Voltage LED Driver
SAV-060N024X02HQA	60W 24V Constant Voltage LED Driver
SAV-096N024X400Q	96W 24V Constant Voltage LED Driver
SAV-150N024X625Q	150W 24V Constant Voltage LED Driver

Note: System design will vary depending on actual project configuration. Please consult your local sales support for details in length in series connection, connecting cable type and lengths.

Disclaimer: Data might vary due to equipment tolerance. Manufacturer reserves the right to make changes to information published in this document, including without limitation specifications and product descriptions, at any time and without notice.

Copyright © 2026 Luxconex Pte. Ltd. All rights reserved.

No part of this document may be reproduced, distributed, or transmitted in any form or by any means without the prior written permission of Luxconex Pte. Ltd.