



SR ID DL

## ALEXIS D SERIES



### SUMMARY

<b>dimension</b> Ø100mm h MX9: 86mm MX11: 113mm MX15: 121mm MX20: 137mm	<b>cut out</b> 	<b>adjustable</b> 	<b>trim</b> 	<b>reflector</b> 
<b>IP</b> IP40 IP65	<b>power</b> MX9 MX11 MX15 MX20	<b>beam</b> 13° 24° 38° 55°	<b>color</b> 	<b>CRI</b> Ra90+ Ra80+

### DRIVERS



### ELECTRICAL

Supply voltage: 220-240V~

System power, supply current and voltage to MX:

SR ID DL	Modular X	Beam Angle	W	mA	V(typ)
Alexis D Series	MX9	13°	7	180	30
	MX11		10	250	
	MX15		13	350	
	MX9	24°/38°/55°	9	180	36
	MX11		11	250	
	MX15		15	350	
MX20	20	500			

### MECHANICAL

IP: IP40/IP65

Cut out: Ø90mm

Mounting: ceiling recessed

Material: aluminum die cast

Color:

housing/trim	reflector

### LIFETIME, WARRANTY & COMPLIANCE

Warranty: 3 years

Lifetime: 50,000 hours

Compliance: CE

Operating temperature: -20...+45°C

### FEATURES

- Sleek and elegant recessed mounting adjustable downlight
- Easy installation and maintenance with modular system design
- Wide range of beam angle selections: 13°/24°/38°/55°
- Available in IP40 or IP65
- Long lifetime, 50,000 hours
- Diffuser, honeycomb and deep recessed anti-glare snoot accessory options

### LIGHT OUTPUT

Light source: Citizen COB

CRI/CCT: 927, 930, 940, 827, 830, 840, 850

Light distribution: symmetric

Beam angle: 13°/24°/38°/55°

Luminaire Lumen Output:

SR ID DL	Modular X	Beam Angle	Flux (lm)						
			SR16			SR6			
			927	930	940	927	930	940	
Alexis D Series	MX9	13°	368	390	425	426	451	491	
		24°	445	465	479	594	621	640	
		38°	420	443	488	586	612	631	
	MX11	55°	446	469	518	611	637	657	
		13°	460	487	530	530	561	611	
		24°	597	623	643	822	858	885	
	MX15	38°	575	605	667	816	852	879	
		55°	584	615	678	818	854	881	
		13°	631	669	728	718	761	828	
	MX20	24°	808	844	870	1059	1160	1140	
		38°	821	865	953	1030	1076	1109	
		55°	767	807	890	1043	1089	1123	
			24°	1162	1214	1251	1430	1494	1540
			38°	1215	1279	1410	1497	1563	1611
			55°	1146	1206	1329	1470	1536	1583

Adjustable angle: 50°

Optical accessories:

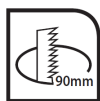




PHOTOMETRY

<p>930-13D-SR16</p>		<table border="1"> <thead> <tr> <th rowspan="2">Height (m)</th> <th colspan="3">E (lx)</th> <th rowspan="2">D (m)</th> </tr> <tr> <th>MX9</th> <th>MX11</th> <th>MX15</th> </tr> </thead> <tbody> <tr> <td>1</td> <td>4609</td> <td>5697</td> <td>7764</td> <td>0.24</td> </tr> <tr> <td>2</td> <td>1152</td> <td>1424</td> <td>1941</td> <td>0.48</td> </tr> <tr> <td>3</td> <td>512</td> <td>633</td> <td>863</td> <td>0.72</td> </tr> <tr> <td>4</td> <td>288</td> <td>356</td> <td>485</td> <td>0.96</td> </tr> <tr> <td>5</td> <td>184</td> <td>228</td> <td>311</td> <td>1.20</td> </tr> </tbody> </table> <p>I (cd) MX9: 4612, MX11: 5703, MX15: 7774</p>	Height (m)	E (lx)			D (m)	MX9	MX11	MX15	1	4609	5697	7764	0.24	2	1152	1424	1941	0.48	3	512	633	863	0.72	4	288	356	485	0.96	5	184	228	311	1.20							
Height (m)	E (lx)			D (m)																																						
	MX9	MX11	MX15																																							
1	4609	5697	7764	0.24																																						
2	1152	1424	1941	0.48																																						
3	512	633	863	0.72																																						
4	288	356	485	0.96																																						
5	184	228	311	1.20																																						
<p>930-24D-SR16</p>		<table border="1"> <thead> <tr> <th rowspan="2">Height (m)</th> <th colspan="4">E (lx)</th> <th rowspan="2">D (m)</th> </tr> <tr> <th>MX9</th> <th>MX11</th> <th>MX15</th> <th>MX20</th> </tr> </thead> <tbody> <tr> <td>1</td> <td>1372</td> <td>1832</td> <td>2546</td> <td>5919</td> <td>0.44</td> </tr> <tr> <td>2</td> <td>343</td> <td>458</td> <td>637</td> <td>1480</td> <td>0.88</td> </tr> <tr> <td>3</td> <td>152</td> <td>204</td> <td>283</td> <td>658</td> <td>1.32</td> </tr> <tr> <td>4</td> <td>86</td> <td>115</td> <td>159</td> <td>370</td> <td>1.76</td> </tr> <tr> <td>5</td> <td>55</td> <td>73</td> <td>102</td> <td>237</td> <td>2.2</td> </tr> </tbody> </table> <p>I (cd) MX9: 1378, MX11: 1884, MX15: 2590, MX20: 5919</p>	Height (m)	E (lx)				D (m)	MX9	MX11	MX15	MX20	1	1372	1832	2546	5919	0.44	2	343	458	637	1480	0.88	3	152	204	283	658	1.32	4	86	115	159	370	1.76	5	55	73	102	237	2.2
Height (m)	E (lx)				D (m)																																					
	MX9	MX11	MX15	MX20																																						
1	1372	1832	2546	5919	0.44																																					
2	343	458	637	1480	0.88																																					
3	152	204	283	658	1.32																																					
4	86	115	159	370	1.76																																					
5	55	73	102	237	2.2																																					
<p>930-38D-SR16</p>		<table border="1"> <thead> <tr> <th rowspan="2">Height (m)</th> <th colspan="4">E (lx)</th> <th rowspan="2">D (m)</th> </tr> <tr> <th>MX9</th> <th>MX11</th> <th>MX15</th> <th>MX20</th> </tr> </thead> <tbody> <tr> <td>1</td> <td>932</td> <td>1076</td> <td>1837</td> <td>3570</td> <td>0.64</td> </tr> <tr> <td>2</td> <td>233</td> <td>269</td> <td>459</td> <td>892</td> <td>1.28</td> </tr> <tr> <td>3</td> <td>104</td> <td>120</td> <td>204</td> <td>397</td> <td>1.92</td> </tr> <tr> <td>4</td> <td>58</td> <td>67</td> <td>115</td> <td>223</td> <td>2.56</td> </tr> <tr> <td>5</td> <td>37</td> <td>43</td> <td>73</td> <td>143</td> <td>3.20</td> </tr> </tbody> </table> <p>I (cd) MX9: 941, MX11: 1282, MX15: 1851, MX20: 3570</p>	Height (m)	E (lx)				D (m)	MX9	MX11	MX15	MX20	1	932	1076	1837	3570	0.64	2	233	269	459	892	1.28	3	104	120	204	397	1.92	4	58	67	115	223	2.56	5	37	43	73	143	3.20
Height (m)	E (lx)				D (m)																																					
	MX9	MX11	MX15	MX20																																						
1	932	1076	1837	3570	0.64																																					
2	233	269	459	892	1.28																																					
3	104	120	204	397	1.92																																					
4	58	67	115	223	2.56																																					
5	37	43	73	143	3.20																																					
<p>930-55D-SR16</p>		<table border="1"> <thead> <tr> <th rowspan="2">Height (m)</th> <th colspan="4">E (lx)</th> <th rowspan="2">D (m)</th> </tr> <tr> <th>MX9</th> <th>MX11</th> <th>MX15</th> <th>MX20</th> </tr> </thead> <tbody> <tr> <td>1</td> <td>615</td> <td>792</td> <td>1103</td> <td>1789</td> <td>1.08</td> </tr> <tr> <td>2</td> <td>154</td> <td>198</td> <td>276</td> <td>447</td> <td>2.16</td> </tr> <tr> <td>3</td> <td>68</td> <td>88</td> <td>123</td> <td>199</td> <td>3.24</td> </tr> <tr> <td>4</td> <td>38</td> <td>50</td> <td>69</td> <td>112</td> <td>4.32</td> </tr> <tr> <td>5</td> <td>25</td> <td>32</td> <td>44</td> <td>72</td> <td>5.40</td> </tr> </tbody> </table> <p>I (cd) MX9: 619, MX11: 812, MX15: 1103, MX20: 1789</p>	Height (m)	E (lx)				D (m)	MX9	MX11	MX15	MX20	1	615	792	1103	1789	1.08	2	154	198	276	447	2.16	3	68	88	123	199	3.24	4	38	50	69	112	4.32	5	25	32	44	72	5.40
Height (m)	E (lx)				D (m)																																					
	MX9	MX11	MX15	MX20																																						
1	615	792	1103	1789	1.08																																					
2	154	198	276	447	2.16																																					
3	68	88	123	199	3.24																																					
4	38	50	69	112	4.32																																					
5	25	32	44	72	5.40																																					

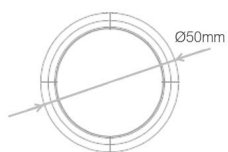
DIMENSIONS



SR ID DL	Modular X	Øa (mm)	h (mm)	z
SRAD	MX9	100	86	50°
	MX11		113	
	MX15		121	
	MX20		137	

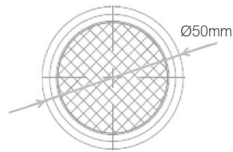
diffusing / spread lens

DF / SPD



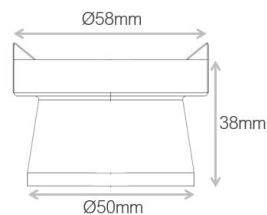
honeycomb

HC



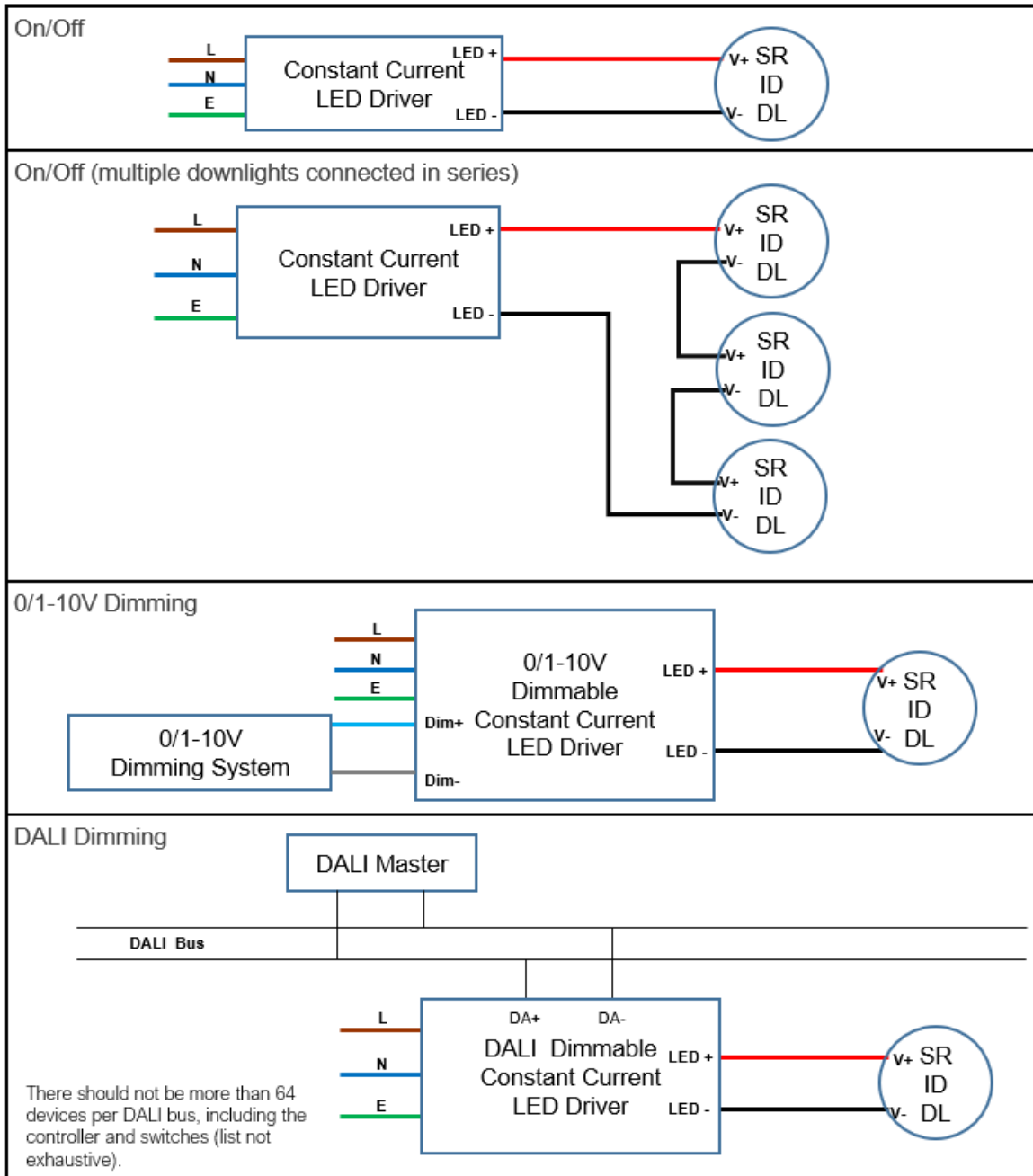
deep recessed anti-glare snoot

SN





CONNECTION



Consult your local sales team for other control protocols, e.g., DMX.



## ORDERING INFORMATION

Select one component from each column to specify a complete ordering code

SR ID DL Alexis D Series	Modular X	CRI/CCT	Beam Angle	IP	Trim Color *	Reflector Color *	Accessory	Module Cap
SRAD	MX9 MX11 MX15 MX20	927 930 940 827 830 840 850	NRB <sup>^</sup> MDB WDB FLD	40 65	B W	B W CGD COP MSV	DF HC SN SPD NA	SR16 SR6

Example: SRAD-MX15-930-WDB-40-W-W-NA-SR16 refers to SR ID DL Alexis D Series, Modular X15 (15W), CRI Ra90+, CCT 3000K, beam angle 38°, IP40, white trim finishing with white reflector and SR16 anti-glare module cap.

<sup>^</sup> NRB is available for MX9, MX11 and MX15, NOT available for MX20.

Beam Angle Ordering Code †	Beam Angle
NRB	13°
MDB	24°
WDB	38°
FLD	55°

Trim and Reflector Color Options *	Color Description
B	black
W	white
CGD	champagne gold
COP	copper
MSV	matte silver

Accessory Options ‡	Description
DF	diffuser
HC	honeycomb
SN	snoot
SPD	spread lens
NA	no accessory

**Disclaimer:** Data might vary due to equipment tolerance. Manufacturer reserves the right to make changes to information published in this document, including without limitation specifications and product descriptions, at any time and without notice.