
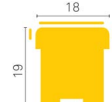



SR Contour Light

# CONT H AURAS OUTDOOR RGB-W SERIES



## SUMMARY

bend dir.  HORIZONTAL	min bend radius 10cm	dimension 	max length 10m	cutting pitch 71.4mm
IP IP67	power 12W/m 15W/m	beam 120°	color  2200K 3000K + 2400K 4000K 2700K 5000K	CRI Ra 80+ Ra 90+

## DIMMING OPTIONS



## ELECTRICAL

Supply voltage: DC24.0V±1.0V

Power range and supply current:

Model	Power	Current
ORS12	12W/m	500mA/m
ORS15	15W/m	625mA/m

ESD protection: contact 4kV, air 8kV

## MECHANICAL

Minimum bending radius: 10cm

Maximum length: 10m

Cutting pitch: 71.4mm

IP: IP67

## LIFETIME, WARRANTY & COMPLIANCE

Warranty: 2 years\*

Lifetime: 50,000 hours at L70/B50 at ta 65°C

Compliance:

- EN 62031, EN 62471, EN 60598-1, EN 60598-2-1
- EN 55015, EN 61547
- AS/NZS 60598.1, AS/NZS 60598.2.1

\* For 5-year warranty, please consult your local sales.

## FEATURES

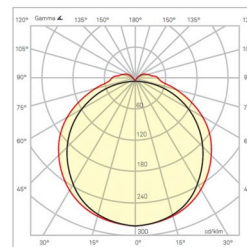
- Excellent thermal dissipation encapsulated with high performance grade silicone material that can be used and installed at an extreme harsh environment with temperature up to 65°C
- Engineered for UV and corrosion resistance, and compliant with the UL 94 V-0 flammability standard
- One of the smallest bend radius, 10cm, available in market, to meet various design requirements
- Flexible choice of white CCT combine with 6-Lead technology RGB chip to create dynamic choice of color settings
- High uniformity with no dark spot even at the terminals
- Identical width between Contour body, feed-in connector and profile for seamless mounting and installation
- Design Registration (30202501104Q) - Singapore Registered Designs Act
- Lifetime: 50,000 hours

## LIGHT OUTPUT

Luminaire Lumen Output†:

ORS12						
color	RED, 621nm		GREEN, 532nm		BLUE, 467nm	
lm/m	48		106		19	
CCT	822	824	827	830	840	850
lm/m	151	159	170	176	183	183
CCT	922	924	927	930	940	950
lm/m	130	135	146	152	157	157
ORS15						
color	RED, 621nm		GREEN, 532nm		BLUE, 467nm	
lm/m	60		132		24	
CCT	822	824	827	830	840	850
lm/m	189	197	213	221	228	228
CCT	922	924	927	930	940	950
lm/m	163	169	183	190	196	196

Beam angle: 120°



## ENVIRONMENT

Ambient temperature: -40°C ... +65°C

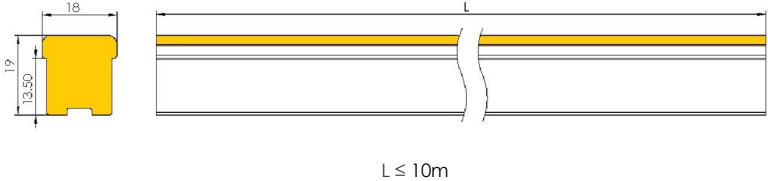
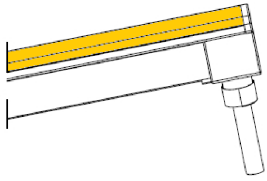
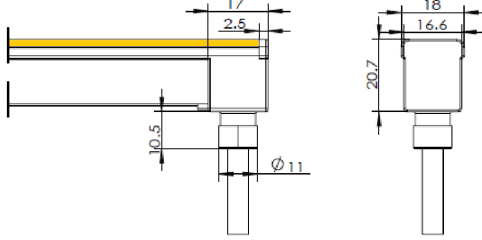
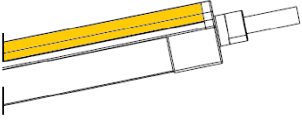
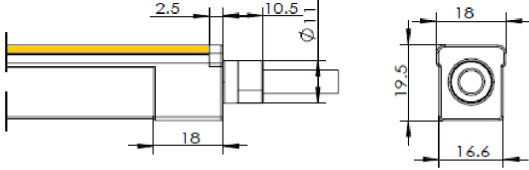
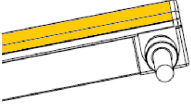
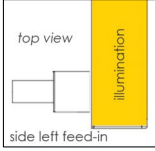
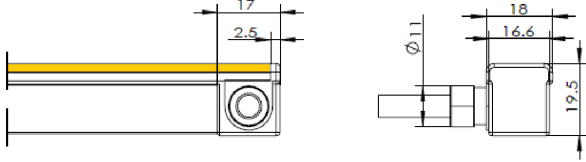
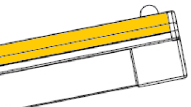
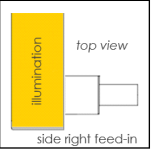
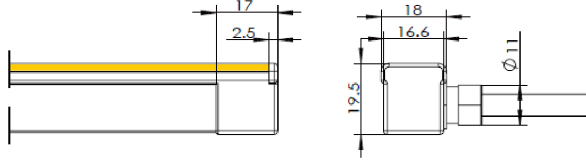
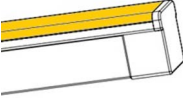

Storage temperature: -40°C ... +85°C

Working humidity: 5% to 85%, non-condensing

† Total luminaire lumen output for CONT H AURAS ORS12 RGB-W 830 is 349lm/m, CONT H AURAS ORS15 RGB-W 830 is 437lm/m.



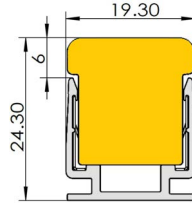
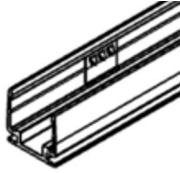
## DIMENSIONS

<p>CONT H AURAS ORS Body</p>	 <p><math>L \leq 10m</math></p>
<p>Injection Bottom Feed-in (JB)</p> 	
<p>Injection End Feed-in (JE)</p> 	
<p>Injection Side Left Feed-in (JSL)</p>  	
<p>Injection Side Right Feed-in (JSR)</p>  	
<p>Injection End Cap</p> 	

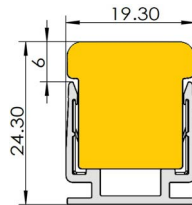
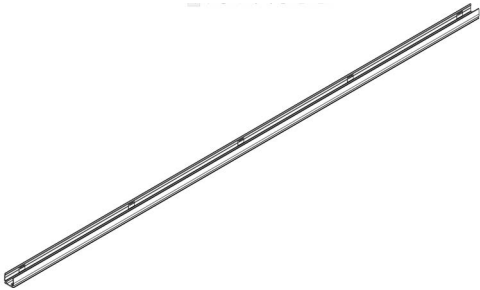
Additional length added to body length L is 5mm with any one feed-in (added 2.5mm) and end cap (added 2.5mm).

**MOUNTING ACCESSORIES**

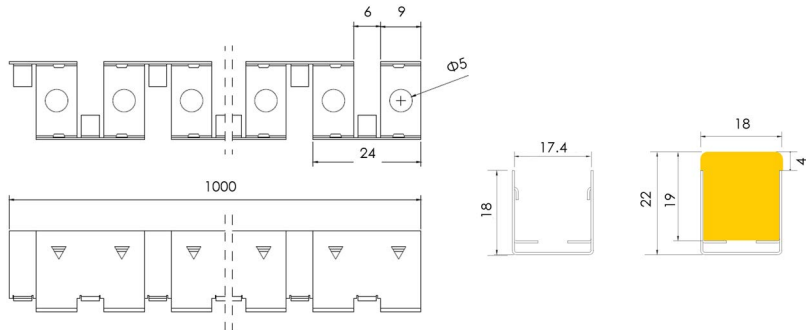
CONT AURAS RS AL CLIP AS 50MM (aluminum clip with anti-skids, 50mm)



CONT AURAS RS JBE AL PROFILE AS 1M (aluminum profile with anti-skids for bottom feed-in and end feed-in, 1m)  
 CONT AURAS RS JSL AL PROFILE AS 1M (aluminum profile with anti-skids for side left feed-in, 1m)  
 CONT AURAS RS JSR AL PROFILE AS 1M (aluminum profile with anti-skids for side right feed-in, 1m)



CONT AURAS SS CURVE PROFILE 1M (stainless steel curve profile, 1m)



Note: All profile dimensions are subject to a manufacturing tolerance of  $\pm 5\%$  unless otherwise specified.

**WIRING**

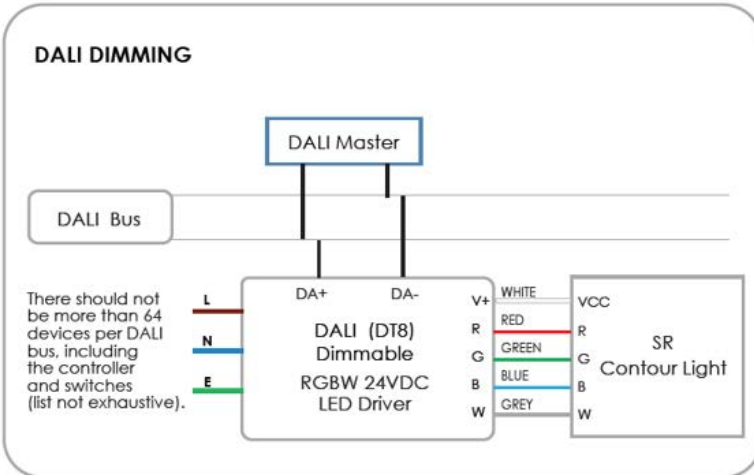
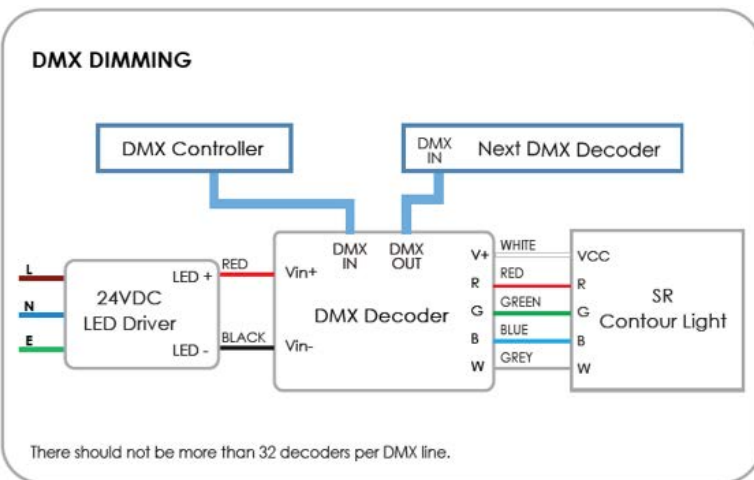


TPE cable outer diameter: Ø6mm

wire color	function	wire size
white	VCC	AWG 18
red	RED	AWG 20
green	GREEN	AWG 20
blue	BLUE	AWG 20
grey	WHITE	AWG 20

Note: All Contour Lights come standard with a 500mm feed-in cable.

**CONNECTIONS**



# SR Contour Light CONT H AURAS ORS RGB-W



## ORDERING INFORMATION

SR Contour Light	Power	Feed-in Cable Direction for Connector†	Color	CCT	Length
CONT H AURAS	ORS12 ORS15	JB JE JSL JSR	RGB-W	822 824 827 830 840 850 922 924 927 930 940 950	xM (x = length in meters, max 10)

Note:

Feed-in Wire/ Cable Direction†	Description
JB	bottom feeder
JE	end feeder
JSL	side feeder left
JSR	side feeder right

Example:

**CONT H AURAS ORS12 JE RGB-W 830 10M** refers to SR CONT H AURAS ORS RGB-W Series, horizontal bend, 12W/m, end feed-in, IP67, RGB-W with white (CRI Ra80+, CCT 3000K), 10 meters in length.

Accessory Ordering Code	Description
CONT AURAS RS AL CLIP AS 50MM	aluminum clip with anti-skids, 50mm
CONT AURAS RS JBE AL PROFILE AS 1M	aluminum profile with anti-skids for bottom feed-in and end feed-in, 1m
CONT AURAS RS JSL AL PROFILE AS 1M	aluminum profile with anti-skids for side left feed-in, 1m
CONT AURAS RS JSR AL PROFILE AS 1M	aluminum profile with anti-skids for side right feed-in, 1m
CONT AURAS RS SS CURVE PROFILE 1M	stainless steel curve profile, 1m

LED Driver Ordering Code	Description
SAV-060N024X02HQA	60W 24V Constant Voltage LED Driver
SAV-096N024X400Q	96W 24V Constant Voltage LED Driver
SAV-150N024X625Q	150W 24V Constant Voltage LED Driver

Note: System design will vary depending on actual project configuration. Please consult your local sales support for details in length in series connection, connecting cable type and lengths.

**Disclaimer:** Data might vary due to equipment tolerance. Manufacturer reserves the right to make changes to information published in this document, including without limitation specifications and product descriptions, at any time and without notice.

**Copyright © 2026 Luxconex Pte. Ltd. All rights reserved.**

No part of this document may be reproduced, distributed, or transmitted in any form or by any means without the prior written permission of Luxconex Pte. Ltd.