



SR Contour Light

# CONT V SLIM MONOCHROMATIC SERIES



## SUMMARY

bend dir.  VERTICAL	min bend radius 8cm	dimension 	max length 5m	cutting pitch 83.3mm for 2200K, 2400K 25mm for 2700K, 3000K, 4000K, 5000K
IP indoor: IP44 outdoor: IP67	power 2.4W/m 4.8W/m 7.2W/m 9.6W/m 12.0W/m	beam 120°	color 2200K 3000K 2400K 4000K 2700K 5000K	CRI Ra 80+ Ra 90+

## FEATURES

- Excellent thermal dissipation encapsulated with high performance grade silicone material that can be used and installed at an extreme harsh environment with temperature up to 65°C
- Designed to be UV and corrosion resistant; meet UL 94 V-0 standard
- One of the smallest bend radius, 8cm, available in market, to meet various design requirements
- Maximum height of only 14.2mm with profile, providing unparalleled option for the ever-demanding height constraints
- High uniformity with no dark spot even at the terminals
- A versatile series providing for various applications covering soft glow effect to a high lumen output of 900lm/m
- SR® LEDShield technology†
- Lifetime: 50,000 hours

## DIMMING OPTIONS



## ELECTRICAL

**Supply voltage:** DC24.0V±1.0V

**Power range and supply current:**

	Power	Current
I/ONJ02	2.4W/m	100mA/m
I/ONJ04	4.8W/m	200mA/m
I/ONJ07	7.2W/m	300mA/m
I/ONJ09	9.6W/m	400mA/m
I/ONJ12	12.0W/m	500mA/m

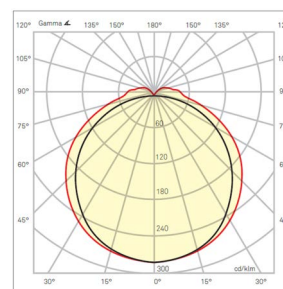
**ESD protection:** contact 4kV, air 8kV

## LIGHT OUTPUT

**Luminaire Lumen Output:**

lm/m	822	824	827	830	840	850
I/ONJ02	153	153	180	180	190	190
I/ONJ04	310	310	365	365	375	375
I/ONJ07	425	425	515	515	545	545
I/ONJ09	582	582	685	685	720	720
I/ONJ12	722	722	850	850	900	900
lm/m	922	924	927	930	940	950
I/ONJ02	125	125	148	148	158	158
I/ONJ04	250	250	295	295	310	310
I/ONJ07	360	360	425	425	450	450
I/ONJ09	475	475	560	560	600	600
I/ONJ12	590	590	700	700	750	750

**Beam angle:** 120°



## MECHANICAL

**Minimum bending radius:** 8cm

**Maximum length:** 5m

**Cutting pitch:**

CCT	Cutting Pitch
2200K, 2400K	83.3mm
2700K, 3000K, 4000K, 5000K	25mm

**IP:** IP44/IP67

## LIFETIME, WARRANTY & COMPLIANCE

**Warranty:** 2 years\*

**Lifetime:** 50,000 hours, L70/B50@ta 65°C

**Compliance:**

- EN 62031, EN 62471, EN 60598-1, EN 60598-2-1
- EN 55015, EN 61547
- AS/NZS 60598.1, AS/NZS 60598.2.1

## ENVIRONMENT

**Ambient temperature:** -40°C ... +65°C

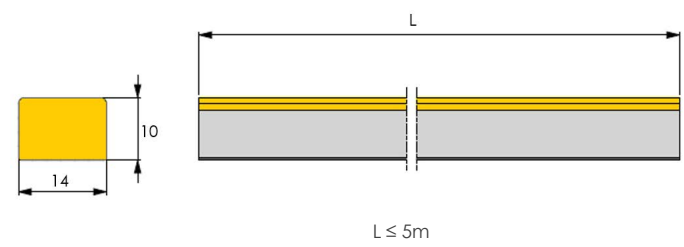
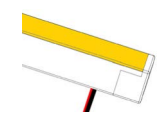
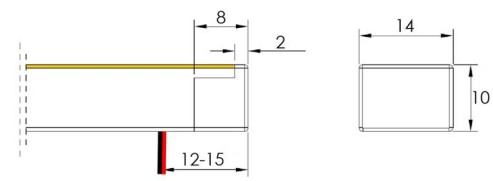
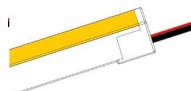
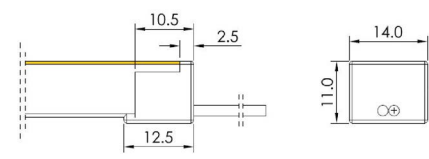
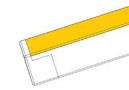
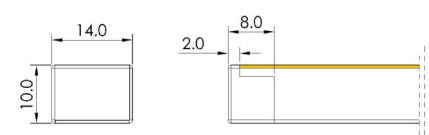
**Storage temperature:** -40°C ... +85°C

**Working humidity:** 5% to 85%, non-condensing

† SR® LEDShield technology: innovative mechanism protecting segment black out from single LED damage due to inappropriate external force applied during installation and handling.

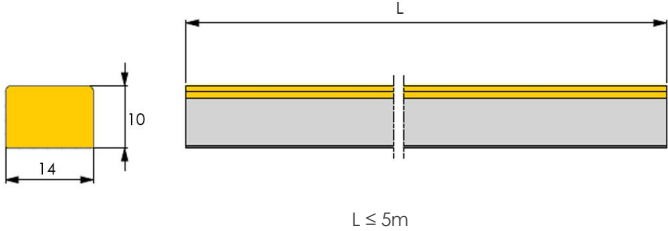
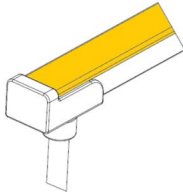
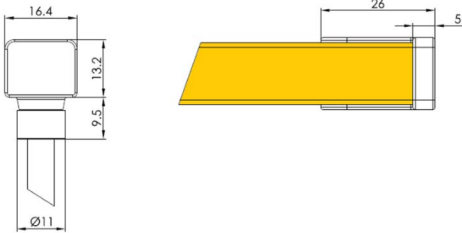
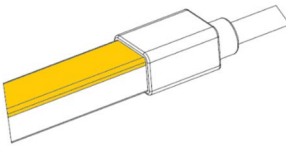
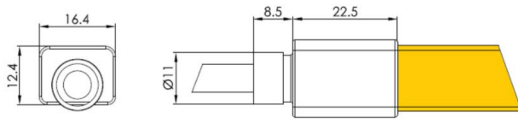
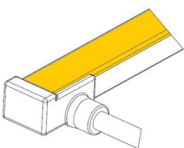
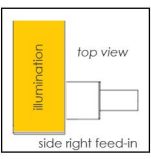
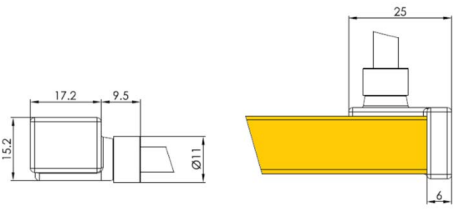
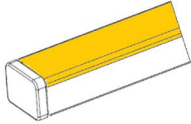
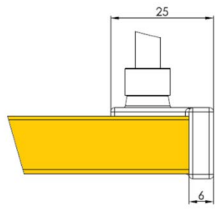


**DIMENSIONS - INDOOR**

<p>CONT V SLIM INJ Body</p>	
<p>Wire Bottom Feed-in</p> 	
<p>Wire End Feed-in</p> 	
<p>End Cap</p> 	

Additional length added to body length L is 5mm with any one feed-in (added 2.5mm) and end cap (added 2.5mm).

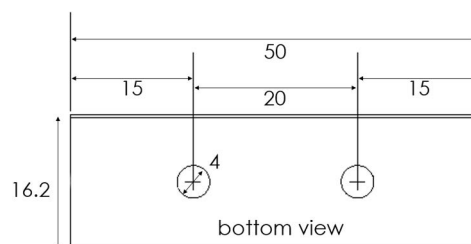
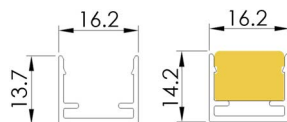
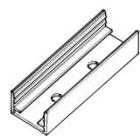
**DIMENSIONS - OUTDOOR**

<p>CONT V SLIM ONJ Body</p>	 <p style="text-align: center;"><math>L \leq 5m</math></p>
<p>Molded Bottom Feed-in (MB)</p> 	
<p>Molded End Feed-in (ME)</p> 	
<p>Molded Side Feed-in - right (MSR)</p>  	
<p>Molded End Cap</p> 	

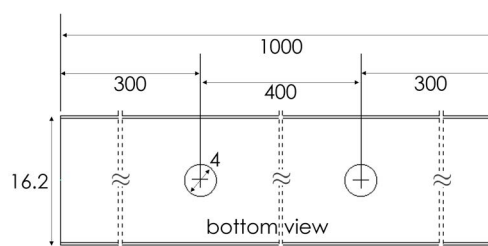
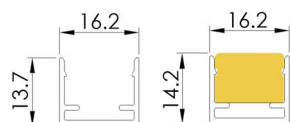
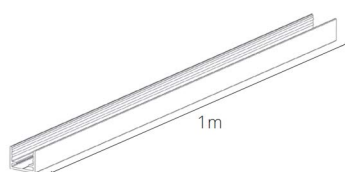
Additional length added to body length L is 4mm with any one feed-in (added 2mm) and end cap (added 2mm).

**MOUNTING ACCESSORIES**

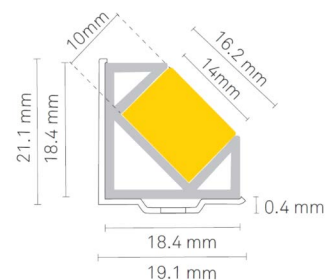
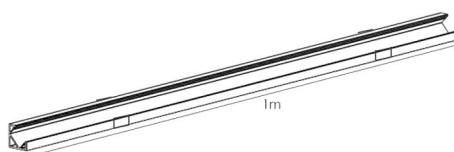
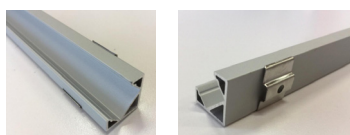
CONT V SLIM NJ AL CLIP 50MM (50mm aluminum clip)



CONT V SLIM NJ AL PROFILE 1M (1m aluminum profile)



CONT V SLIM NJ 45D ANGLED AL PROFILE 1M (1m 45° angled aluminum profile) - for horizontal installation only

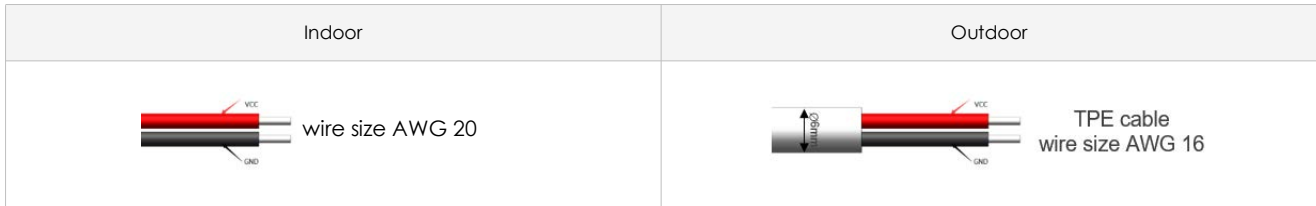


Contact our sales team for consultation on other installation orientation.

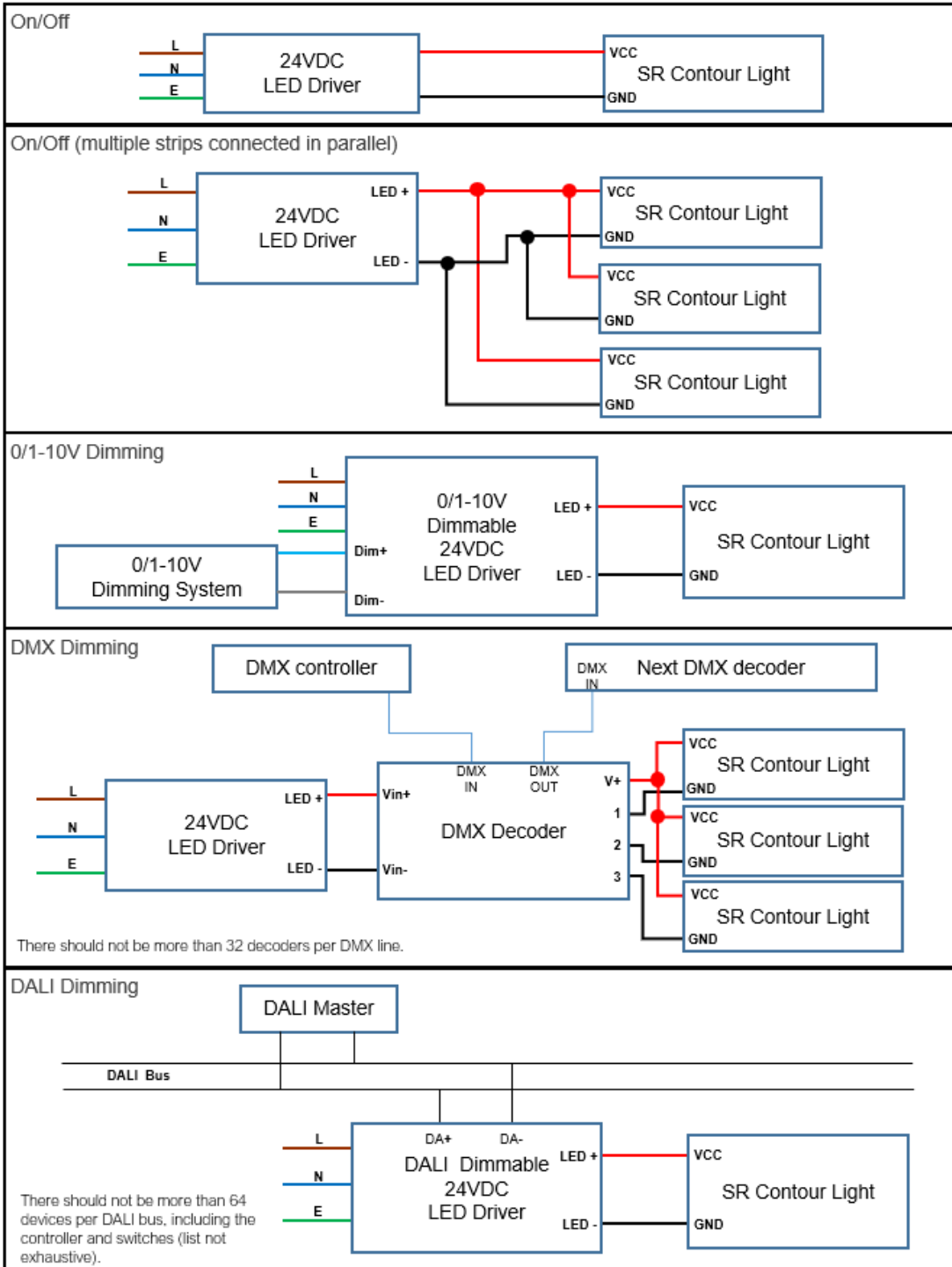
# SR Contour Light CONT V SLIM MONOCHROMATIC



## WIRING



## CONNECTIONS



# SR Contour Light CONT V SLIM MONOCHROMATIC



## ORDERING INFORMATION

SR Contour Light	Power	Feed-in Wire/Cable Direction <sup>†</sup>	CRI / CCT	Length
CONT V SLIM	INJ02	WB WE	822	xM (x = length in meters, max 5)
	INJ04		824	
	INJ07		827	
	INJ09		830	
	INJ12		840	
			850	
	ONJ02	MB ME MSR	922	
	ONJ04		924	
	ONJ07		927	
	ONJ09		930	
	ONJ12		940	
			950	

<sup>†</sup>Note:

Feed-in Wire/ Cable Direction	Description
WB	wire bottom feeder
MB	cable bottom feeder
WE	wire end feeder
ME	cable end feeder
MSR	cable side feeder right

Example:

**CONT V SLIM INJ12 WB 930 5M** refers to SR CONT V SLIM Monochromatic Indoor Series, vertical bend, 12.0W/m, wire bottom feed-in, CRI Ra90+, CCT 3000K, IP44, 5 meters in length.

**CONT V SLIM ONJ12 ME 830 5M** refers to SR CONT V SLIM Monochromatic Outdoor Series, vertical bend, 12.0W/m, cable end feed-in, CRI Ra80+, CCT 3000K, IP67, 5 meters in length.

Accessory Ordering Code	Description
CONT V SLIM NJ AL CLIP 50MM	aluminum clip, 50mm
CONT V SLIM NJ AL PROFILE 1M	aluminum profile, 1m
CONT V SLIM NJ 45D ANGLED AL PROFILE 1M	45° angled aluminum profile, 1m

LED Drivers	Description
SBV 040N024X167Q	40W 24V Constant Voltage LED Driver
SAV-060N024X02HQA	60W 24V Constant Voltage LED Driver
SAV-096N024X400Q	96W 24V Constant Voltage LED Driver
SAV-150N024X625Q	150W 24V Constant Voltage LED Driver

Note: System design will vary depending on actual project configuration. Please consult your local sales support for details in length in series connection, connecting cable type and lengths.

**Disclaimer:** Data may vary due to equipment tolerance. The manufacturer reserves the right to modify information published in this document—including specifications, dimensions and product descriptions—at any time without notice.