

SR Contour Light

CONT V AURAS OUTDOOR DYNAMIC WHITE SERIES



SUMMARY

bend dir. VERTICAL	min bend radius 10cm	dimension 18 19	max length 8m	cutting pitch 71.4mm
IP outdoor: IP67	power 12W/m	beam 120°	color 2200K 3000K 2400K 4000K 2700K 5000K	CRI Ra 80+ Ra 90+

DIMMING OPTIONS



ELECTRICAL

Supply voltage: DC24.0V±1.0V

Power range and supply current:

	Power	Current
ORS12	12W/m	500mA/m

ESD protection: contact 4kV, air 8kV

MECHANICAL

Minimum bending radius: 10cm

Maximum length: 8m

Cutting pitch: 71.4mm

IP: IP67

LIFETIME, WARRANTY & COMPLIANCE

Warranty: 2 years*

Lifetime: 50,000 hours, L70/B50@ta 65°C

Compliance:

- EN 62031, EN 62471, EN 60598-1, EN 60598-2-1
- EN 55015, EN 61547
- AS/NZS 60598.1, AS/NZS 60598.2.1

* For 5-year warranty, please consult your local sales.

FEATURES

- Excellent thermal dissipation encapsulated with high performance grade silicone material that can be used and installed at an extreme harsh environment with temperature up to 65°C
- Engineered for UV and corrosion resistance, and compliant with the UL 94 V-0 flammability standard
- One of the smallest bend radius, 10cm, available in market, to meet various design requirements
- High uniformity with no dark spot even at the terminals
- Uniform width across Contour body, feed-in connector and profile for seamless mounting and installation
- Design Registration (30202501104Q) - Singapore Registered Designs Act
- Lifetime: 50,000 hours

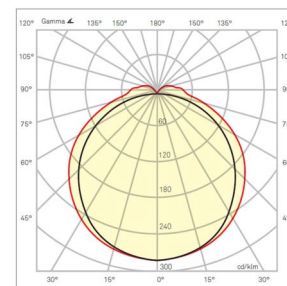
LIGHT OUTPUT

Luminaire Lumen Output:

	ORS12					
CCT	822	824	827	830	840	850
lm/m	750	750	810	840	870	870
CCT	922	924	927	930	940	950
lm/m	620	645	700	722	750	750

LED binning: single bin, 3 SDCM

Beam angle: 120°




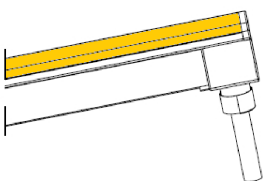
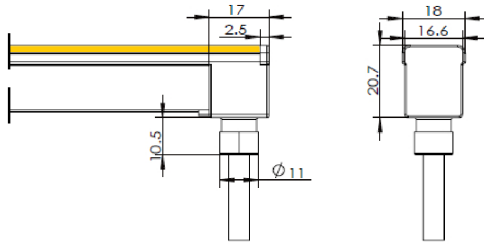
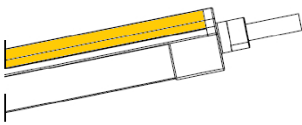
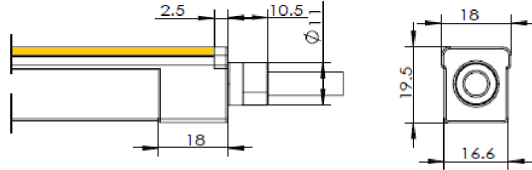
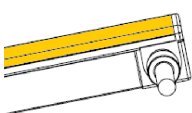

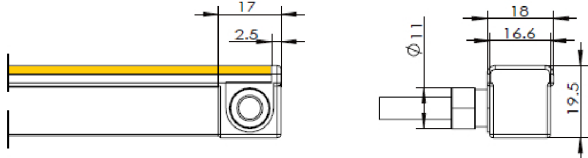
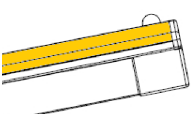

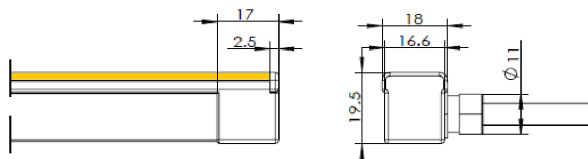
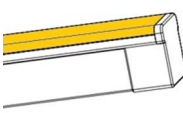
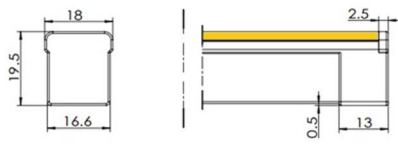
ENVIRONMENT

Ambient temperature: -40°C ... +65°C

Storage temperature: -40°C ... +85°C

Working humidity: 5% to 85%, non-condensing

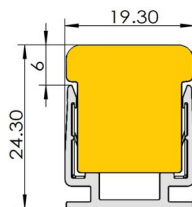
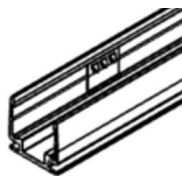
DIMENSIONS

<p>CONT H AURAS ORS Body</p>	 <p style="text-align: center;">$L \leq 10m$</p>
<p>Injection Bottom Feed-in (JB)</p> 	
<p>Injection End Feed-in (JE)</p> 	
<p>Injection Side Left Feed-in (JSL)</p>  <div style="border: 1px solid black; padding: 2px; display: inline-block;"> <p>top view</p>  <p>illumination</p> <p>side left feed-in</p> </div>	
<p>Injection Side Right Feed-in (JSR)</p>  <div style="border: 1px solid black; padding: 2px; display: inline-block;"> <p>illumination</p> <p>top view</p>  <p>side right feed-in</p> </div>	
<p>Injection End Cap</p> 	

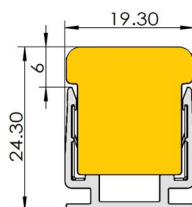
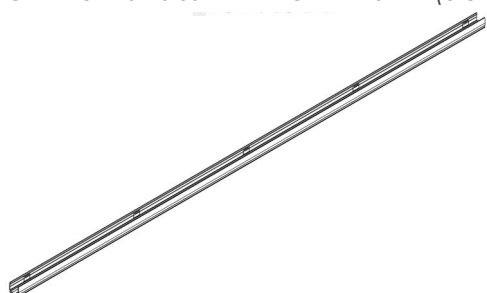
Additional length added to body length L is 5mm with any one feed-in (added 2.5mm) and end cap (added 2.5mm).

MOUNTING ACCESSORIES

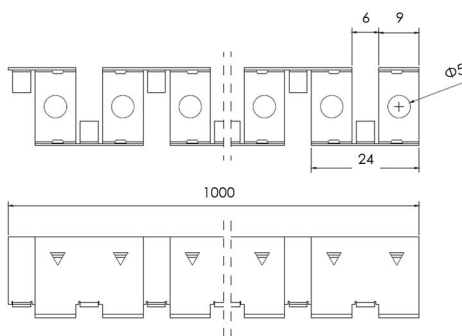
CONT AURAS RS AL CLIP 50MM



CONT AURAS RS JBE AL PROFILE AS 1M (aluminum profile with anti-skids for bottom feed-in, 1m)
 CONT AURAS RS JSL AL PROFILE AS 1M (aluminum profile with anti-skids for side left feed-in, 1m)
 CONT AURAS RS JSR AL PROFILE AS 1M (aluminum profile with anti-skids for side right feed-in, 1m)



CONT AURAS SS CURVE PROFILE 1M (stainless steel curve profile, 1m)



Note: All profile dimensions are subject to a manufacturing tolerance of $\pm 5\%$ unless otherwise specified.



WIRING

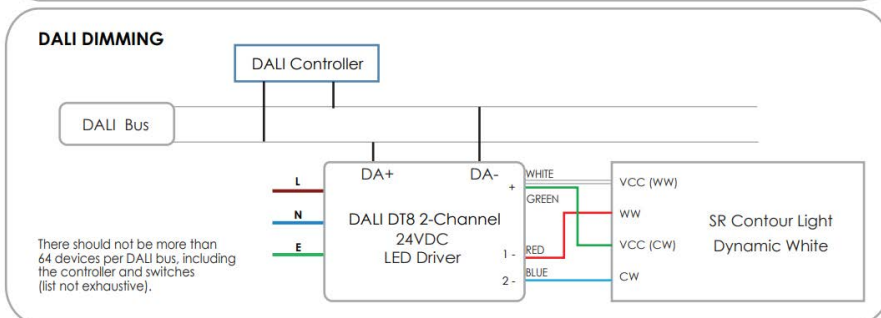
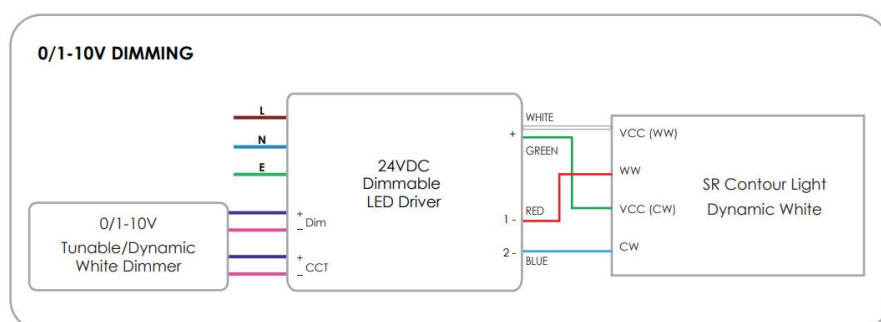


TPE cable outer diameter: Ø6mm

wire color	function	wire size
white	VCC (WW)	AWG 18
red	WW	AWG 20
green	VCC (CW)	AWG 20
blue	CW	AWG 20

Note: All Contour Lights come standard with 500mm feed-in cable.

CONNECTIONS



SR Contour Light CONT V AURAS OUTDOOR DYNAMIC WHITE



ORDERING INFORMATION

SR Contour Light	Power	Feed-in Wire/Cable Direction [†]	Configuration	CRI / CCT [‡]	Length
CONT V AURAS	ORS12	JB JE JSL JSR	TW	LO-HI	xM (x = length in meters, max 8)

Note:

Feed-in Wire/ Cable Direction [†]	Description
WB	bottom feeder
JB	bottom feeder
JE	end feeder
JSL	side feeder left
JSR	side feeder right

LO Options [†]	HI Options [†]
822	824
824	827
827	830
830	840
840	850
922	924
924	927
927	930
930	940
940	950

Example:

CONT V AURAS ORS12 JE TW 827-850 8M refers to SR CONT V AURAS Outdoor Dynamic White Outdoor Series, horizontal bend, 12W/m, end feed-in, CRI Ra80+, tunable CCT between 2700K and 5000K, IP67, 8 meters in length.

Accessory Ordering Code	Description
CONT AURAS RS AL CLIP AS 50MM	aluminum clip with anti-skids, 50mm
CONT AURAS RS JBE AL PROFILE AS 1M	aluminum profile with anti-skids for bottom feed-in and end feed-in, 1m
CONT AURAS RS JSL AL PROFILE AS 1M	aluminum profile with anti-skids for side left feed-in, 1m
CONT AURAS RS JSR AL PROFILE AS 1M	aluminum profile with anti-skids for side right feed-in, 1m
CONT AURAS SS CURVE PROFILE 1M	stainless steel curve profile, 1m

LED Drivers	Description
SAV-060N024X02HQA	60W 24V Constant Voltage LED Driver
SAV-096N024X400Q	96W 24V Constant Voltage LED Driver
SAV-150N024X625Q	150W 24V Constant Voltage LED Driver

Note: System design will vary depending on actual project configuration. Please consult your local sales support for details in length in series connection, connecting cable type and lengths.

Disclaimer: Data might vary due to equipment tolerance. Manufacturer reserves the right to make changes to information published in this document, including without limitation specifications and product descriptions, at any time and without notice.

Copyright © 2026 Luxconex Pte. Ltd. All rights reserved.

No part of this document may be reproduced, distributed, or transmitted in any form or by any means without the prior written permission of Luxconex Pte. Ltd.