


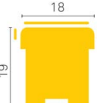


SR Contour Light

CONT V AURAS OUTDOOR PX SPI MONOCHROMATIC SERIES



SUMMARY

bend dir.  VERTICAL	min bend radius 10cm	dimension 	max length 8m	cutting pitch 125mm
IP IP67	power 11.7W/m	beam 120°	color 2200K 2400K 2700K 3000K 4000K 5000K	pixel/m 8

DIMMING OPTION



ELECTRICAL

Supply voltage: DC24.0V±1.0V

Power range and supply current:

Power	Current
11.7W/m	488mA/m

ESD protection: contact 4kV, air 8kV

Pixels per meter: 8

Channels per meter: 24

MECHANICAL

Minimum bending radius: 10cm

Maximum length: 8m

Cutting pitch: 125mm

IP: IP67

LIFETIME, WARRANTY & COMPLIANCE

Warranty: 2 years*

Lifetime: 50,000 hours, L70/B50@ta 65°C

Compliance:

- EN 62031, EN 62471, EN 60598-1, EN 60598-2-1
- EN 55015, EN 61547
- AS/NZS 60598.1, AS/NZS 60598.2.1

* For 5-year warranty, please consult your local sales.

FEATURES

- Excellent thermal dissipation encapsulated with high performance grade silicone material with operating temperature up to maximum ta 65°C
- Engineered for UV and corrosion resistance, and compliant with the UL 94 V-0 flammability standard
- Seamless with no dark spot even at the terminals
- Lifetime: 50,000 hours
- Direct Artnet-to-SPI interlace; 3072 channels per SPI output line; synchronized Artnet data through ArtSync
- Linear daisy-chain of Artnet-to-SPI interfaces of up to 36 controllers per line
- Maximum operational frame rate: 48fps
- Up to 254m of Contour Light daisy-chained data lines per controller
- Up to 50m input shield twisted pair data cable from controller to Contour Light
- Design Registration (30202501104Q) - Singapore Registered Designs Act

LIGHT OUTPUT

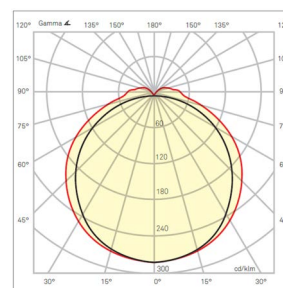
CCT: 2200K, 2400K, 2700K, 3000K, 4000K, 5000K

CRI: Ra 80+, Ra 90+

Luminaire lumen output:

CCT	822	824	827	830	840	850
lm/m	620	645	700	728	750	750
CCT	922	924	927	930	940	950
lm/m	530	555	600	620	645	645

Beam angle: 120°



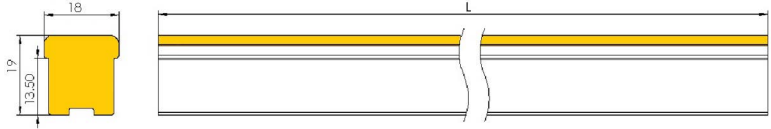
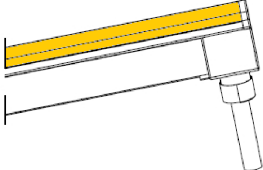
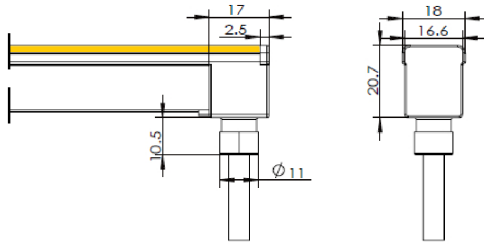
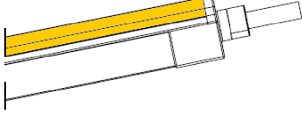
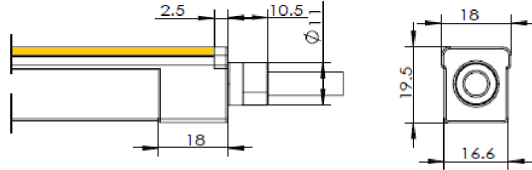
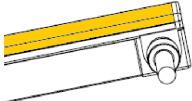
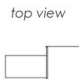
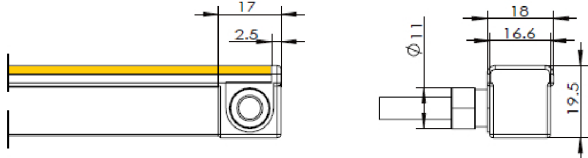
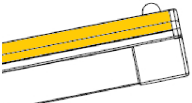

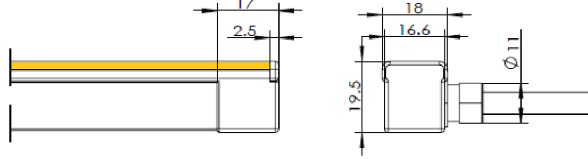
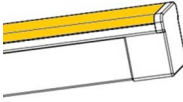
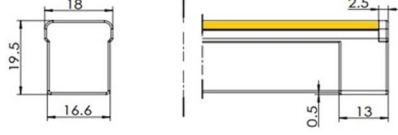
ENVIRONMENT

Ambient temperature: -40°C ... +65°C

Storage temperature: -40°C ... +85°C

Working humidity: 5% to 85%, non-condensing

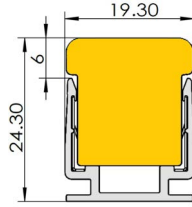
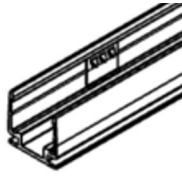
DIMENSIONS

<p>CONT V AURAS ORS Body</p>	 <p style="text-align: center;">$L \leq 8m$</p>
<p>Injection Bottom Feed-in (JB)</p> 	
<p>Injection End Feed-in (JE)</p> 	
<p>Injection Side Left Feed-in (JSL)</p>  <div style="border: 1px solid black; padding: 2px; display: inline-block;"> <p>top view</p>  <p>illumination</p> <p>side left feed-in</p> </div>	
<p>Injection Side Right Feed-in (JSR)</p>  <div style="border: 1px solid black; padding: 2px; display: inline-block;"> <p>illumination</p> <p>top view</p>  <p>side right feed-in</p> </div>	
<p>Injection End Cap</p> 	

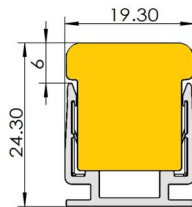
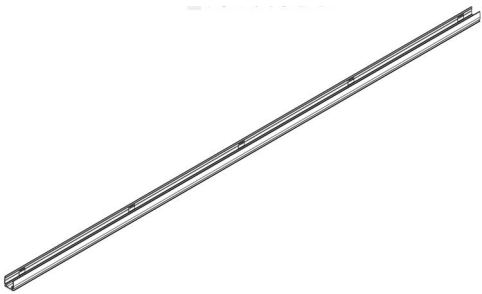
Additional length added to body length L is 5mm with any one feed-in (added 2.5mm) and end cap (added 2.5mm).

MOUNTING ACCESSORIES

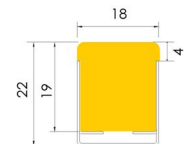
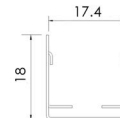
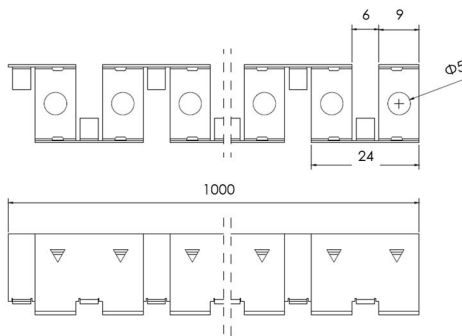
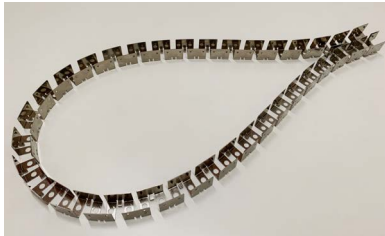
CONT AURAS RS AL CLIP 50MM



CONT AURAS RS JBE AL PROFILE AS 1M (aluminum profile with anti-skids for bottom feed-in, 1m)
 CONT AURAS RS JSL AL PROFILE AS 1M (aluminum profile with anti-skids for side left feed-in, 1m)
 CONT AURAS RS JSR AL PROFILE AS 1M (aluminum profile with anti-skids for side right feed-in, 1m)



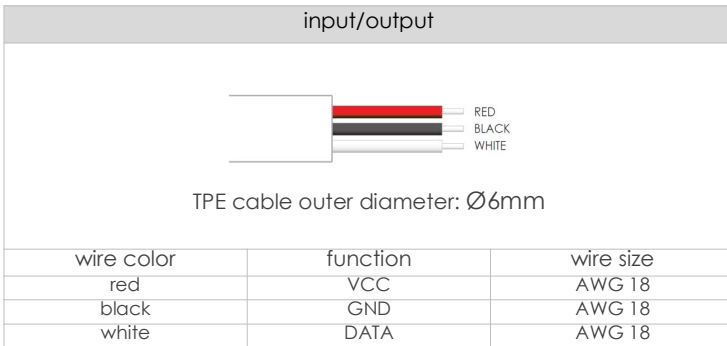
CONT AURAS SS CURVE PROFILE 1M (stainless steel curve profile, 1m)



Note: All profile dimensions are subject to a manufacturing tolerance of $\pm 5\%$ unless otherwise specified.

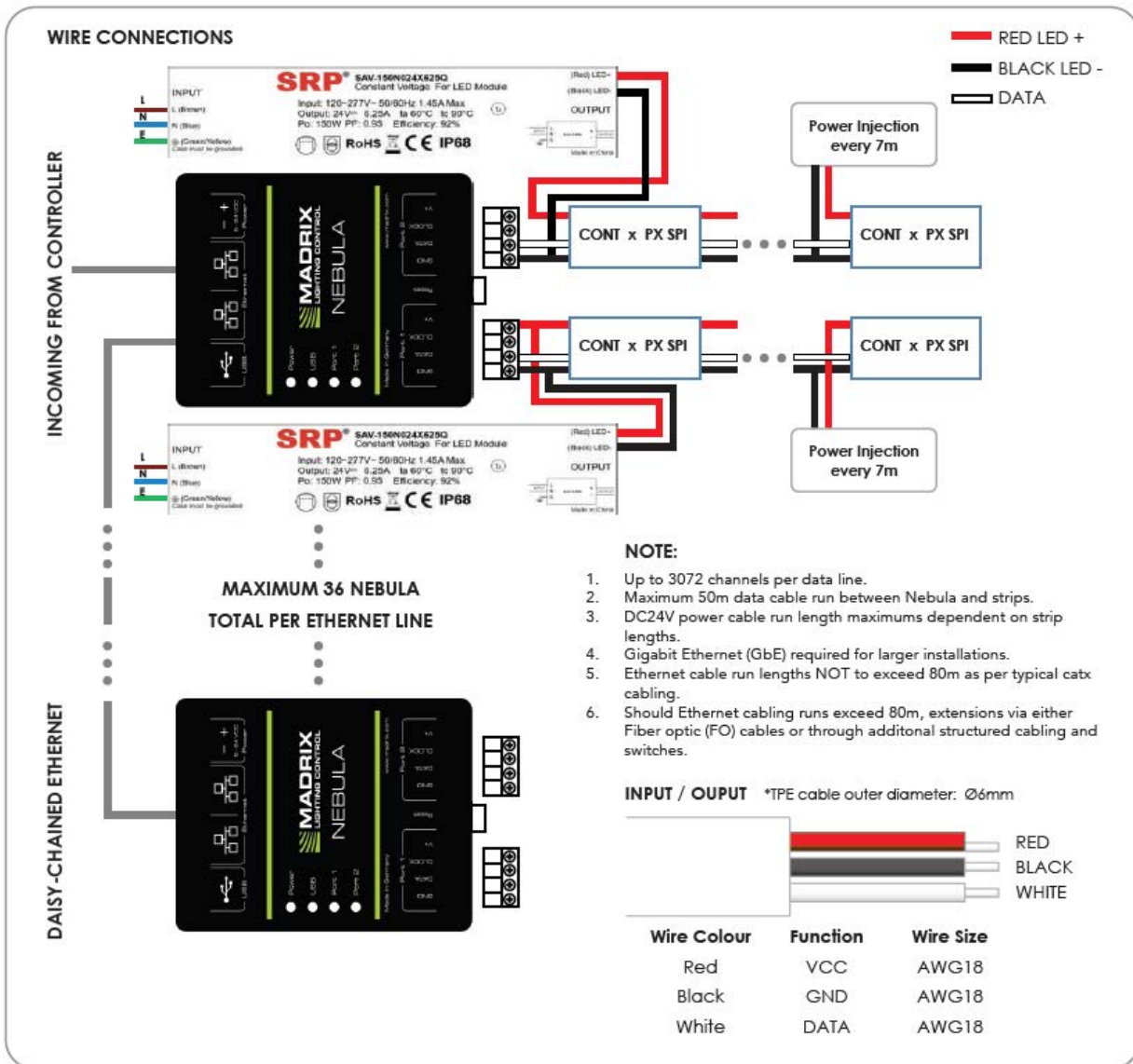


WIRING



Note: All Contour Lights come standard with 500mm feed-in/out cable.

CONNECTIONS



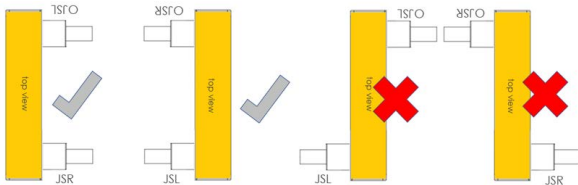
SR Contour Light CONT V AURAS OUTDOOR PX SPI MONOCHROMATIC



ORDERING INFORMATION

SR Contour Light	Model	Feed-in Cable Direction	Feed-out Cable Direction	Signal Control	Color	Length
CONT V AURAS	ORS11	JB (bottom feeder) JE (end feeder) JSL * (side feeder left) JSR * (side feeder right)	OJB (bottom feeder) OJE (end feeder) OJSL * (side feeder left) OJSR * (side feeder right) <empty> (no output)	PX SPI	822 824 827 830 840 850 922 924 927 930 940 950	xM (x = length in meters, max 8m)

* Note on Side Feed-in and Side Feed-out



Example:

CONT V AURAS ORS11 JB OJB PX SPI 830 8M refers to SR Contour Light CONT V AURAS OUTDOOR PX SPI MONOCHROMATIC Series, SPI control pixelated CRI Ra 80+, CCT 3000K, injection bottom feed-in, injection bottom feed-out, 8meters in length.

CONT V AURAS ORS11 JB PX SPI 830 8M refers to SR Contour Light CONT V AURAS OUTDOOR PX SPI MONOCHROMATIC Series, SPI control pixelated CRI Ra 80+, CCT 3000K, injection bottom feed-in, no feed-out, 8meters in length.

Accessory Ordering Code	Description
CONT AURAS RS AL CLIP AS 50MM	aluminum clip with anti-skids, 50mm
CONT AURAS RS JBE AL PROFILE AS 1M	aluminum profile with anti-skids for bottom feed-in and end feed-in, 1m
CONT AURAS RS JSL AL PROFILE AS 1M	aluminum profile with anti-skids for side left feed-in, 1m
CONT AURAS RS JSR AL PROFILE AS 1M	aluminum profile with anti-skids for side right feed-in, 1m
CONT AURAS SS CURVE PROFILE 1M	stainless steel curve profile, 1m

LED Driver Ordering Code	Description
SBV-040N024X167Q	40W 24V Constant Voltage LED Driver
SAV-060N024X02HQ	60W 24V Constant Voltage LED Driver
SAV-096N024X400Q	96W 24V Constant Voltage LED Driver
SAV-150N024X625Q	150W 24V Constant Voltage LED Driver

Note: System design will vary depending on actual project configuration. Please consult your local sales support for details in length in series connection, connecting cable type and lengths.

Disclaimer: Data might vary due to equipment tolerance. Manufacturer reserves the right to make changes to information published in this document, including without limitation specifications and product descriptions, at any time and without notice.

Copyright © 2026 Luxconex Pte. Ltd. All rights reserved.

No part of this document may be reproduced, distributed, or transmitted in any form or by any means without the prior written permission of Luxconex Pte. Ltd.