
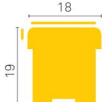



SR Contour Light

CONT V AURAS OUTDOOR RGB SERIES



SUMMARY

bend dir.  VERTICAL	min bend radius 10cm	dimension 	max length 10m	cutting pitch 71.4mm
IP IP67	power 12W/m 15W/m	beam 120°	color 	

DIMMING OPTIONS



ELECTRICAL

Supply voltage: DC24.0V±1.0V

Power range and supply current:

Model	Power	Current
ORS12	12W/m	500mA/m
ORS15	15W/m	625mA/m

ESD protection: contact 4kV, air 8kV

MECHANICAL

Minimum bending radius: 10cm

Maximum length: 10m

Cutting pitch: 71.4mm

IP: IP67

LIFETIME, WARRANTY & COMPLIANCE

Warranty: 2 years*

Lifetime: 50,000 hours at L70/B50 at ta 65°C

Compliance:

- EN 62031, EN 62471, EN 60598-1, EN 60598-2-1
- EN 55015, EN 61547
- AS/NZS 60598.1, AS/NZS 60598.2.1

* For 5-year warranty, please consult your local sales.

FEATURES

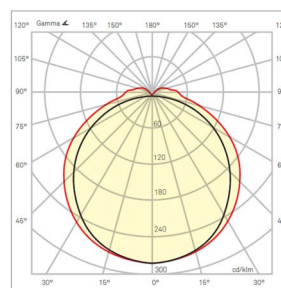
- Excellent thermal dissipation encapsulated with high performance grade silicone material that can be used and installed at an extreme harsh environment with temperature up to 65°C
- Engineered for UV and corrosion resistance, and compliant with the UL 94 V-0 flammability standard
- One of the smallest bend radius, 10cm, available in market, to meet various design requirements
- Using 6-Lead technology RGB chip to create dynamic choice of color settings
- High uniformity with no dark spot even at the terminals
- Identical width between Contour body, feed-in connector and profile for seamless mounting and installation
- Design Registration (30202501104Q) - Singapore Registered Designs Act
- Lifetime: 50,000 hours

LIGHT OUTPUT

Luminaire Lumen Output:

ORS12				
color	RED, 621nm	GREEN, 532nm	BLUE, 467nm	RGB
lm/m	76	168	30	273
ORS15				
color	RED, 621nm	GREEN, 532nm	BLUE, 467nm	RGB
lm/m	95	210	38	342

Beam angle: 120°



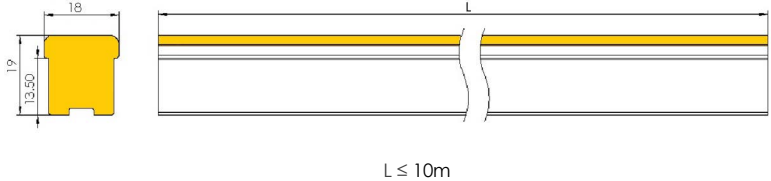
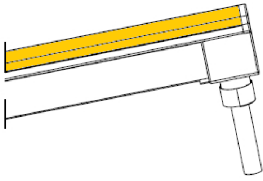
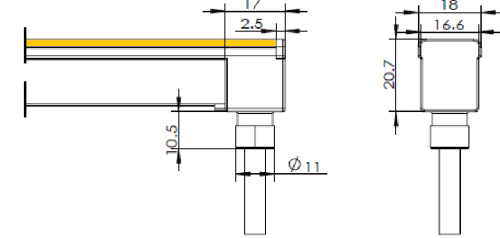
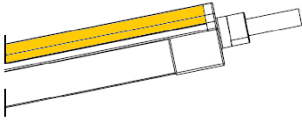
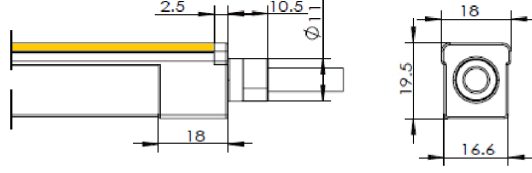
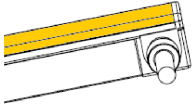
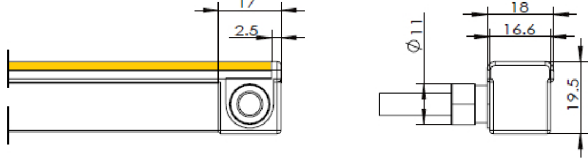
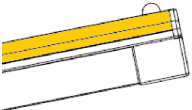
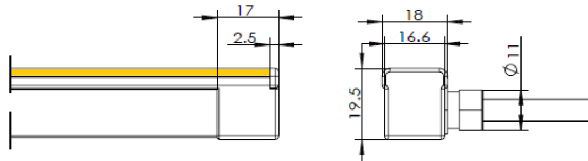
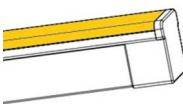
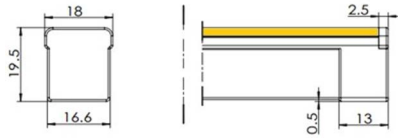
ENVIRONMENT

Ambient temperature: -40°C ... +65°C

Storage temperature: -40°C ... +85°C

Working humidity: 5% to 85%, non-condensing

DIMENSIONS

<p>CONT V AURAS ORS Body</p>	 <p style="text-align: center;">$L \leq 10m$</p>
<p>Injection Bottom Feed-in (JB)</p> 	
<p>Injection End Feed-in (JE)</p> 	
<p>Injection Side Left Feed-in (JSL)</p>  <div style="display: flex; align-items: center; margin-top: 5px;"> <div style="border: 1px solid black; padding: 2px; text-align: center; width: 20px; height: 20px; background-color: yellow; margin-right: 5px;"></div> <div style="font-size: 8px;"> <p>top view</p> <p>illumination</p> <p>side left feed-in</p> </div> </div>	
<p>Injection Side Right Feed-in (JSR)</p>  <div style="display: flex; align-items: center; margin-top: 5px;"> <div style="border: 1px solid black; padding: 2px; text-align: center; width: 20px; height: 20px; background-color: yellow; margin-right: 5px;"></div> <div style="font-size: 8px;"> <p>illumination</p> <p>top view</p> <p>side right feed-in</p> </div> </div>	
<p>Injection End Cap</p> 	

Additional length added to body length L is 5mm with any one feed-in (added 2.5mm) and end cap (added 2.5mm).

WIRING

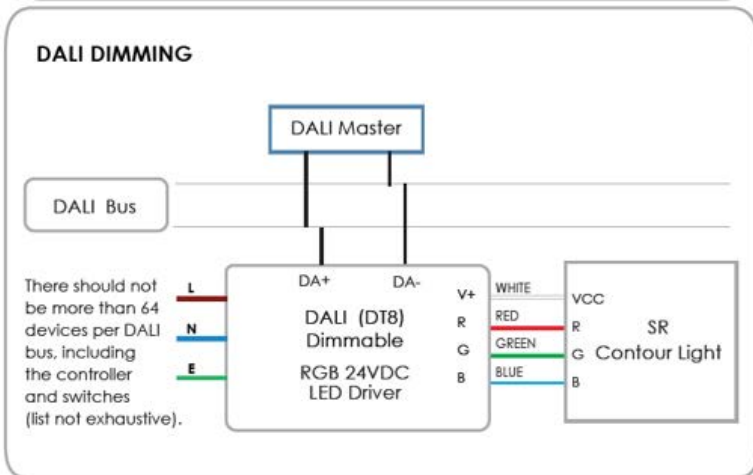
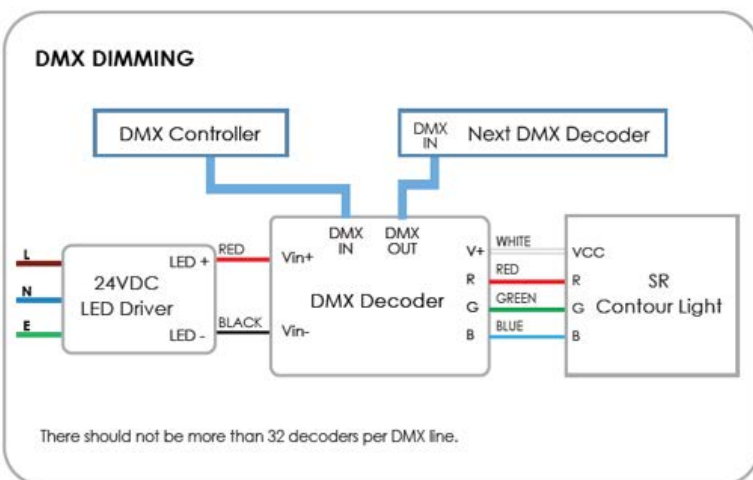


TPE cable outer diameter: Ø6mm

wire color	function	wire size
white	VCC	AWG 18
red	RED	AWG 20
green	GREEN	AWG 20
blue	BLUE	AWG 20

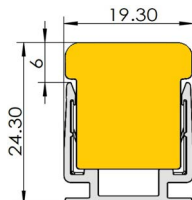
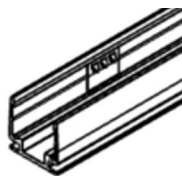
Note: All Contour Lights come standard with a 500mm feed-in cable.

CONNECTIONS

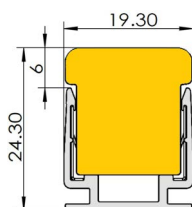
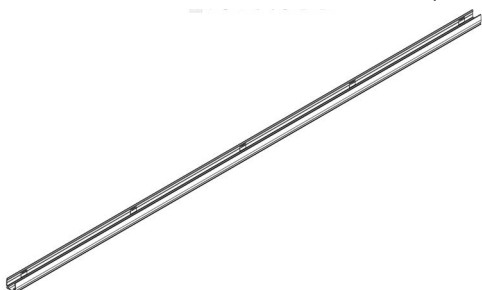


MOUNTING ACCESSORIES

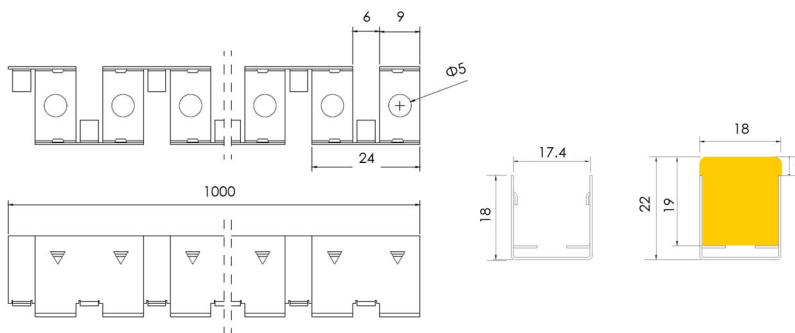
CONT AURAS RS AL CLIP 50MM



CONT AURAS RS JBE AL PROFILE AS 1M (aluminum profile with anti-skids for bottom feed-in and end feed-in, 1m)
 CONT AURAS RS JSL AL PROFILE AS 1M (aluminum profile with anti-skids for side left feed-in, 1m)
 CONT AURAS RS JSR AL PROFILE AS 1M (aluminum profile with anti-skids for side right feed-in, 1m)



CONT AURAS SS CURVE PROFILE 1M (stainless steel curve profile, 1m)



Note: All profile dimensions are subject to a manufacturing tolerance of $\pm 5\%$ unless otherwise specified.

SR Contour Light CONT V AURAS OUTDOOR RGB



ORDERING INFORMATION

SR Contour Light	Power	Feed-in Cable Direction for Connectort	Color	Length
CONT V AURAS	ORS12 ORS15	JB JE JSL JSR	RGB	xM (x = length in meters, max 10)

Note:

Feed-in Wire/ Cable Direction†	Description
JB	bottom feeder
JE	end feeder
JSL	side feeder left
JSR	side feeder right

Example:

CONT V AURAS ORS12 JE RGB 10M refers to SR CONT V AURAS ORS RGB Series, vertical bend, 12W/m, end feed-in, IP67, 10 meters in length.

Accessory Ordering Code	Description
CONT AURAS RS AL CLIP AS 50MM	aluminum clip with anti-skids, 50mm
CONT AURAS RS JBE AL PROFILE AS 1M	aluminum profile with anti-skids for bottom feed-in and end feed-in, 1m
CONT AURAS RS JSL AL PROFILE AS 1M	aluminum profile with anti-skids for side left feed-in, 1m
CONT AURAS RS JSR AL PROFILE AS 1M	aluminum profile with anti-skids for side right feed-in, 1m
CONT AURAS SS CURVE PROFILE 1M	stainless steel curve profile, 1m

LED Drivers	Description
SAV-060N024X02HQA	60W 24V Constant Voltage LED Driver
SAV-096N024X400Q	96W 24V Constant Voltage LED Driver
SAV-150N024X625Q	150W 24V Constant Voltage LED Driver

Note: System design will vary depending on actual project configuration. Please consult your local sales support for details in length in series connection, connecting cable type and lengths.

Disclaimer: Data might vary due to equipment tolerance. Manufacturer reserves the right to make changes to information published in this document, including without limitation specifications and product descriptions, at any time and without notice.

Copyright © 2026 Luxconex Pte. Ltd. All rights reserved.

No part of this document may be reproduced, distributed, or transmitted in any form or by any means without the prior written permission of Luxconex Pte. Ltd.