



SR ID DL

DYNA D SERIES



SUMMARY

dimension Ø86mm h MX9: 88mm MX11: 115mm MX15: 123mm	cut out 	adjustable 	trim 	reflector
IP IP40 IP65	power MX9 MX11 MX15	beam 13° 24° 38° 50°	color 	CRI Ra90+ Ra80+

FEATURES

- Sleek and elegant recessed mounting adjustable downlight
- Easy installation and maintenance with modular system design
- Wide range of beam angle selections: 13°/24°/38°/50°
- Available in IP40 or IP65
- Long lifetime, 50,000 hours
- Diffuser and honeycomb accessory options

DIMMING



ELECTRICAL

Supply voltage: 220-240V~

System power, total supply current and voltage to MX:

SR ID DL	Modular X	Beam angle	W	mA	V(typ)*
Dyna D Series	MX9	13°	7	180	30
	MX11		9	250	
	MX15		13	350	
	MX9	all other beam angles	9	180	36
	MX11		11	250	
	MX15		15	350	

LIGHT OUTPUT

Light source: Citizen COB

CRI/CCT: 927, 930, 940, 827, 830, 840, 850

Light distribution: symmetric

Beam angle: 13°/24°/38°/50°

Luminaire Lumen Output:

SR ID DL	Modular X	Beam Angle	Flux (lm)		
			927	930	940
Dyna D Series	MX9	13°	363	384	418
		24°	422	441	455
		38°	404	422	435
		50°	403	420	433
		13°	446	472	514
	MX11	24°	574	600	618
		38°	543	566	584
		50°	550	574	592
		13°	613	649	707
	MX15	24°	793	829	854
		38°	747	780	804
		50°	740	772	796

Adjustable angle: 25°

Optical accessories:



MECHANICAL

IP: IP40/IP65

Cut out: Ø75mm

Mounting: ceiling recessed

Material: aluminum die cast

Color:

housing/trim	reflector

LIFETIME, WARRANTY & COMPLIANCE

Warranty: 3 years

Lifetime: 50,000 hours

Compliance: CE

Operating temperature: -20...+45°C

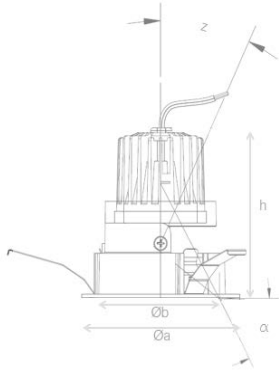


PHOTOMETRY

<p>930-13°</p>		<table border="1"> <thead> <tr> <th rowspan="2">Height (m)</th> <th colspan="3">E (lx)</th> <th rowspan="2">D (m)</th> </tr> <tr> <th>MX9</th> <th>MX11</th> <th>MX15</th> </tr> </thead> <tbody> <tr> <td>1</td> <td>4788</td> <td>5872</td> <td>8010</td> <td>0.23</td> </tr> <tr> <td>2</td> <td>1197</td> <td>1468</td> <td>2002</td> <td>0.46</td> </tr> <tr> <td>3</td> <td>532</td> <td>652</td> <td>890</td> <td>0.69</td> </tr> <tr> <td>4</td> <td>299</td> <td>367</td> <td>501</td> <td>0.92</td> </tr> <tr> <td>5</td> <td>192</td> <td>235</td> <td>320</td> <td>1.15</td> </tr> </tbody> </table> <p>I (cd) MX9: 4788, MX11: 5872, MX15: 8010</p>	Height (m)	E (lx)			D (m)	MX9	MX11	MX15	1	4788	5872	8010	0.23	2	1197	1468	2002	0.46	3	532	652	890	0.69	4	299	367	501	0.92	5	192	235	320	1.15
Height (m)	E (lx)			D (m)																															
	MX9	MX11	MX15																																
1	4788	5872	8010	0.23																															
2	1197	1468	2002	0.46																															
3	532	652	890	0.69																															
4	299	367	501	0.92																															
5	192	235	320	1.15																															
<p>930-24°</p>		<table border="1"> <thead> <tr> <th rowspan="2">Height (m)</th> <th colspan="3">E (lx)</th> <th rowspan="2">D (m)</th> </tr> <tr> <th>MX9</th> <th>MX11</th> <th>MX15</th> </tr> </thead> <tbody> <tr> <td>1</td> <td>1527</td> <td>2091</td> <td>2829</td> <td>0.46</td> </tr> <tr> <td>2</td> <td>382</td> <td>523</td> <td>707</td> <td>0.92</td> </tr> <tr> <td>3</td> <td>170</td> <td>232</td> <td>314</td> <td>1.38</td> </tr> <tr> <td>4</td> <td>95</td> <td>131</td> <td>177</td> <td>1.84</td> </tr> <tr> <td>5</td> <td>61</td> <td>84</td> <td>113</td> <td>2.30</td> </tr> </tbody> </table> <p>I (cd) MX9: 1527, MX11: 2096, MX15: 2845</p>	Height (m)	E (lx)			D (m)	MX9	MX11	MX15	1	1527	2091	2829	0.46	2	382	523	707	0.92	3	170	232	314	1.38	4	95	131	177	1.84	5	61	84	113	2.30
Height (m)	E (lx)			D (m)																															
	MX9	MX11	MX15																																
1	1527	2091	2829	0.46																															
2	382	523	707	0.92																															
3	170	232	314	1.38																															
4	95	131	177	1.84																															
5	61	84	113	2.30																															
<p>930-38°</p>		<table border="1"> <thead> <tr> <th rowspan="2">Height (m)</th> <th colspan="3">E (lx)</th> <th rowspan="2">D (m)</th> </tr> <tr> <th>MX9</th> <th>MX11</th> <th>MX15</th> </tr> </thead> <tbody> <tr> <td>1</td> <td>1006</td> <td>1383</td> <td>1888</td> <td>0.66</td> </tr> <tr> <td>2</td> <td>251</td> <td>346</td> <td>472</td> <td>1.32</td> </tr> <tr> <td>3</td> <td>112</td> <td>154</td> <td>210</td> <td>1.98</td> </tr> <tr> <td>4</td> <td>63</td> <td>86</td> <td>118</td> <td>2.64</td> </tr> <tr> <td>5</td> <td>40</td> <td>55</td> <td>76</td> <td>3.30</td> </tr> </tbody> </table> <p>I (cd) MX9: 1008, MX11: 1392, MX15: 1891</p>	Height (m)	E (lx)			D (m)	MX9	MX11	MX15	1	1006	1383	1888	0.66	2	251	346	472	1.32	3	112	154	210	1.98	4	63	86	118	2.64	5	40	55	76	3.30
Height (m)	E (lx)			D (m)																															
	MX9	MX11	MX15																																
1	1006	1383	1888	0.66																															
2	251	346	472	1.32																															
3	112	154	210	1.98																															
4	63	86	118	2.64																															
5	40	55	76	3.30																															
<p>930-50°</p>		<table border="1"> <thead> <tr> <th rowspan="2">Height (m)</th> <th colspan="3">E (lx)</th> <th rowspan="2">D (m)</th> </tr> <tr> <th>MX9</th> <th>MX11</th> <th>MX15</th> </tr> </thead> <tbody> <tr> <td>1</td> <td>689</td> <td>940</td> <td>1274</td> <td>0.98</td> </tr> <tr> <td>2</td> <td>172</td> <td>235</td> <td>319</td> <td>1.96</td> </tr> <tr> <td>3</td> <td>77</td> <td>104</td> <td>142</td> <td>2.94</td> </tr> <tr> <td>4</td> <td>43</td> <td>59</td> <td>80</td> <td>3.92</td> </tr> <tr> <td>5</td> <td>28</td> <td>38</td> <td>51</td> <td>4.90</td> </tr> </tbody> </table> <p>I (cd) MX9: 689, MX11: 940, MX15: 1274</p>	Height (m)	E (lx)			D (m)	MX9	MX11	MX15	1	689	940	1274	0.98	2	172	235	319	1.96	3	77	104	142	2.94	4	43	59	80	3.92	5	28	38	51	4.90
Height (m)	E (lx)			D (m)																															
	MX9	MX11	MX15																																
1	689	940	1274	0.98																															
2	172	235	319	1.96																															
3	77	104	142	2.94																															
4	43	59	80	3.92																															
5	28	38	51	4.90																															



DIMENSIONS



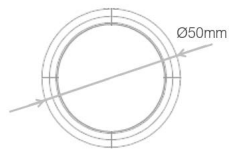
SR ID DL	Modular X	Øa (mm)	Øb (mm)	h (mm) *	z	α
SRDD	MX9	86	65	88	25°	61°
	MX11			115		
	MX15			123		

*h using default SR6 module cap



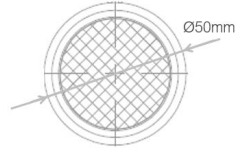
diffusing / spread lens

DF / SPD



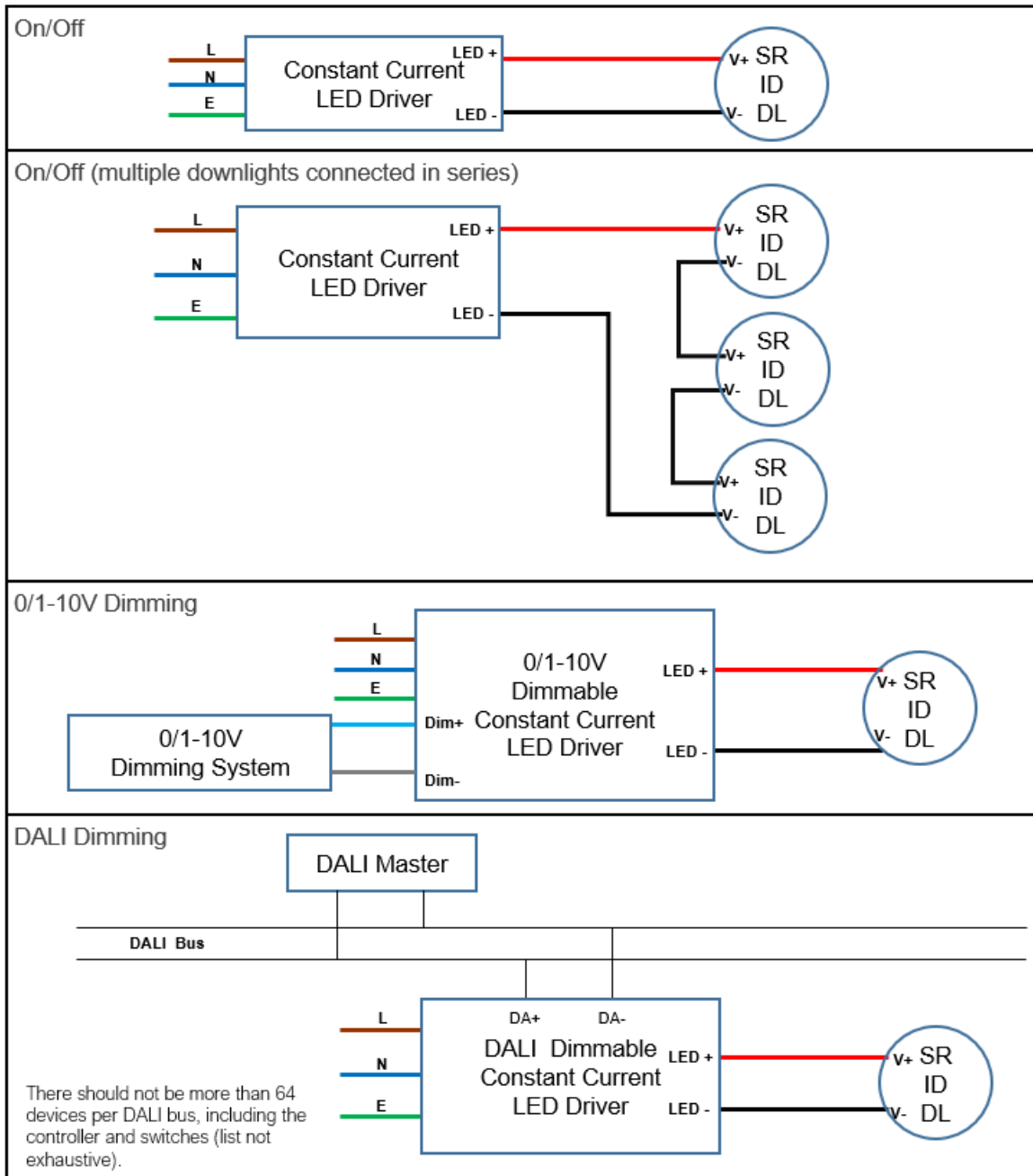
honeycomb

HC





CONNECTION



Consult your local sales team for other control protocols, e.g., DMX.



ORDERING INFORMATION

Select one component from each column to specify a complete ordering code

SR ID DL Dyna D Series	Modular X *	CRI/CCT	Beam Angle †	IP	Trim Color ‡	Reflector Color ‡	Accessory §
SRDD	MX9 MX11 MX15	927 930 940 827 830 840 850	NRB MDB WDB FLD	40 65	B W	B W MIR DRM	DF SPD HC NA

* Dyna D uses default SR6 module cap for the Modular X light engine.

Example: SRDD-MX15-930-WDB40-W-MIR-NA refers to SR ID DL Dyna D Series, Modular X15 (15W), CRI Ra90+, CCT 3000K, beam angle 38°, IP40, white trim finishing with mirror reflector with default SR6 module cap.

† Beam Angle Ordering Code	Beam Angle
NRB	13°
MDB	24°
WDB	38°
FLD	50°

‡ Trim / Reflector Color Options	Color Description
B	black
W	white
MIR	mirror
DRM	dark mirror

§ Accessory Options	Description
DF	diffuser
HC	honeycomb
SPD	spread lens
NA	no accessory

Disclaimer: Data might vary due to equipment tolerance. Manufacturer reserves the right to make changes to information published in this document, including without limitation specifications and product descriptions, at any time and without notice.