



# SR Contour Light CONT V TRELATI PR MONOCHROMATIC SERIES



## SUMMARY

 bending VERTICAL	min. bend radius 10cm	 dimension 16.4mm 17.8mm	max length 10m	cutting pitch 100mm
IP IP44 IP67	power 6W/m 12W/m	beam 150°	color 	CRI Ra 80+ Ra 90+

## DRIVERS



## ELECTRICAL

**Supply voltage:** DC24.0V±1.0V

**Power range and supply current:**

CONT V TRELATI	Power	Current
PR06	6W/m	250mA/m
PR12	12W/m	500mA/m

**ESD protection:** contact 4kV, air 8kV

## MECHANICAL

**Minimum bending radius:** 10cm

**Maximum length:** 10m

**Cutting pitch:** 100mm

**IP:** IP44/IP67

## LIFETIME, WARRANTY & COMPLIANCE

**Warranty:** 2 years\*

**Lifetime:** 50,000 hours, L70/B50@ta 65°C

**Compliance:**

- EN 62031, EN 62471, EN 60598-1, EN 60598-2-1
- EN 55015, EN 61547
- AS/NZS 60598.1, AS/NZS 60598.2.1

\* For 5-year warranty, please consult your local sales.

## FEATURES

- Excellent thermal dissipation encapsulated with high performance grade silicone material that can be used and installed at an extreme harsh environment with temperature up to 65°C
- Designed to be UV and corrosion resistant; meet UL 94 V-0 standard
- One of the smallest bend radius, 10cm, available in market to meet various design requirements
- Beautifully crafted to have a tri-directional illumination structure
- Seamless with no dark spot even at the terminals
- High efficacy luminaire up to 91.6lm/W
- SR® LEDShield technology†
- Lifetime: 50,000 hours
- Wide selection of monochromatic colors

## LIGHT OUTPUT

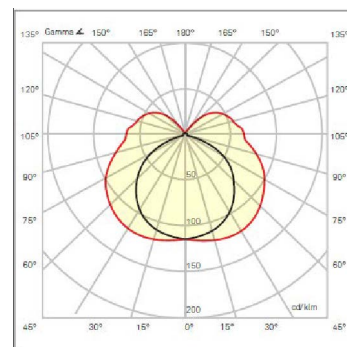
**CCT:** 2200K, 2400K, 2700K, 3000K, 4000K, 5000K

**CCT:** Ra 80+, Ra 90+

**Luminaire lumen output:**


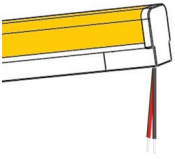
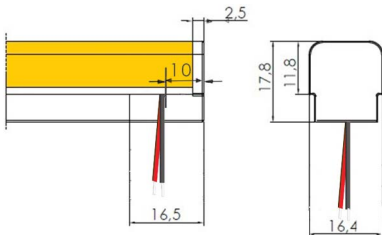
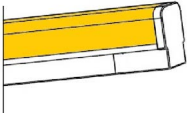

CONT V TRELATI I/OPR06						
CCT	822	824	827	830	840	850
lm/m	380	380	450	450	500	500
CCT	922	924	927	930	940	950
lm/m	325	325	385	385	410	410
CCT	RED, 622.5nm		YELLOW, 590nm		BLUE, 467.5nm	
lm/m	135		120		82.5	
CONT V TRELATI I/OPR12						
CCT	822	824	827	830	840	850
lm/m	800	800	950	950	1000	1000
CCT	922	924	927	930	940	950
lm/m	650	650	770	770	820	820
CCT	RED, 622.5nm		YELLOW, 590nm		BLUE, 467.5nm	
lm/m	270		240		165	

**Beam angle:** 150°




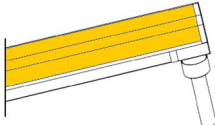
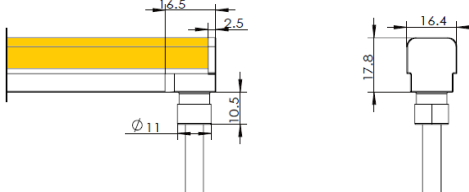
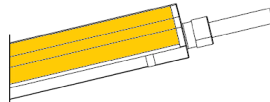
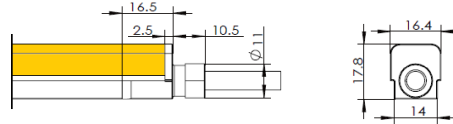
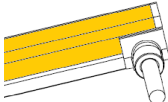
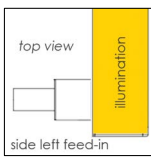
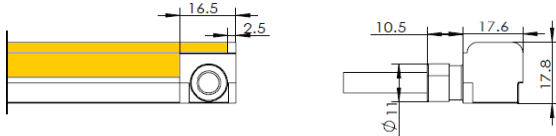
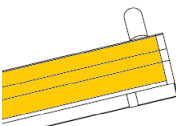
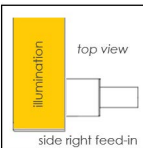
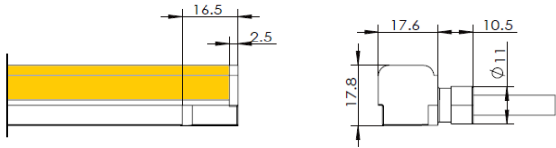
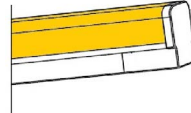
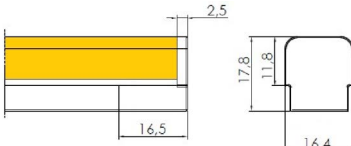
† SR® LEDShield technology: innovative mechanism protecting segment black out from single LED damage due to inappropriate external force applied during installation and handling.

**DIMENSIONS - INDOOR**

<p>CONT V TRELATI IPR Body</p>	 <p style="text-align: center;"><math>L \leq 10m</math></p>
<p>Wire Bottom Feed-in (WB)</p> 	
<p>Injection End Cap</p> 	

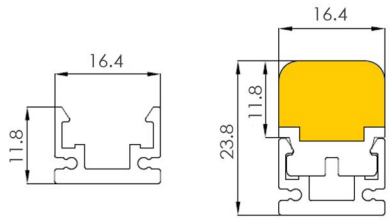
Additional length added to body length L is 5mm with any one feed-in (added 2.5mm) and end cap (added 2.5mm).

**DIMENSIONS - OUTDOOR**

<p>CONT V TRELATI OPR Body</p>	 <p style="text-align: center;"><math>L \leq 10m</math></p>
<p>Injection Bottom Feed-in (JB)</p> 	
<p>Injection End Feed-in (JE)</p> 	
<p>Injection Side Left Feed-in (JSL)</p>  	
<p>Injection Side Right Feed-in (JSR)</p>  	
<p>Injection End Cap</p> 	

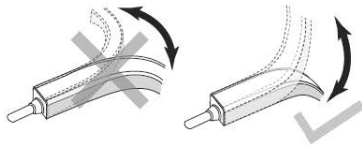
Additional length added to body length L is 5mm with any one feed-in (added 2.5mm) and end cap (added 2.5mm).

### MOUNTING ACCESSORIES

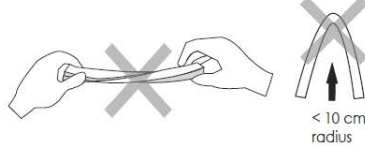
<p>50mm Aluminum Clip CONT V TRELATI PR AL CLIP</p>	
<p>Aluminum Profile CONT V TRELATI PR JBE AL PROFILE CONT V TRELATI PR JSL AL PROFILE CONT V TRELATI PR JSR AL PROFILE</p>	

### CAUTIONS

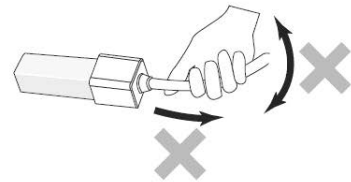
- Ensure mains power is switched OFF before carrying out installation, maintenance or replacement operations.
- The Contour Light should be installed by qualified electrical personnel and complying with local codes.
- The power supply should be sized appropriately to adequately power the load with the correct voltage and power ratings; it is generally recommended to have at least 10% power buffer.
- Lightning / Surge protection should be used if not already built into the power supply.
- **DO NOT CUT** the light strip or warranty will be voided.



**DO NOT BEND** the fixture in the wrong direction. If bent horizontally, the fixture can be damaged.



**DO NOT TWIST** the fixture or **BEND** at less than 10cm radius.

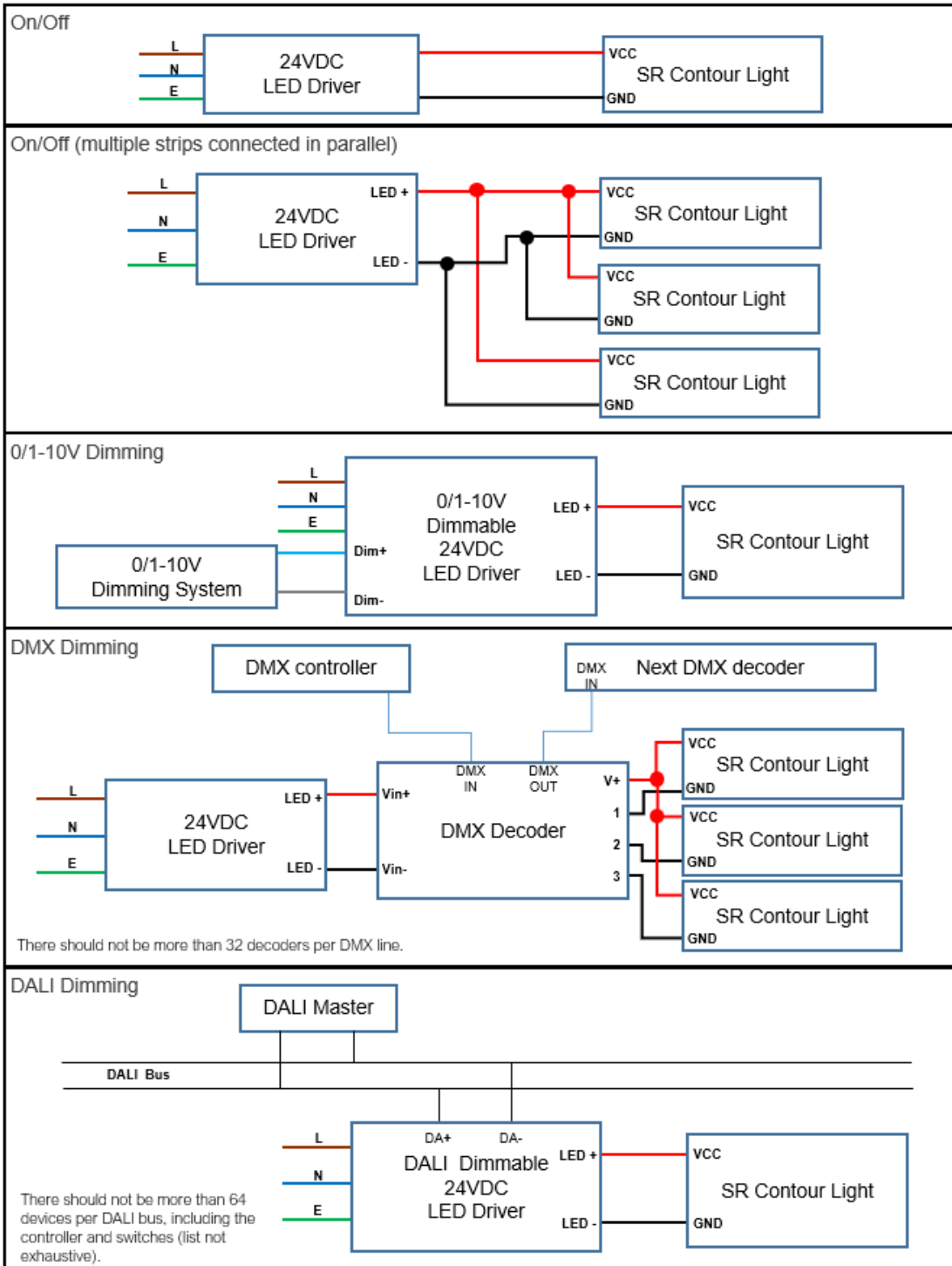


**DO NOT STRESS OR PULL HARD** on the lead-in cables, nor handle it using the feed-in cables.

**WIRING**

Indoor	Outdoor

**CONNECTION**



# SR Contour Light CONT V TRELATI I/OPR SERIES



## ORDERING INFORMATION

SR Contour Light	Model	Feed-in Cable Direction †	Color	Length
CONT V TRELATI	IPR06 IPR12	WB	822 824 827 830 840 850 922 924 927 930 940 950 RED YELLOW BLUE GREEN	xM (x = length in meters, max 10m)
	OPR06 OPR12	JB JE JSL JSR		

†Note:

Feed-in Cable Direction	Description
WB	bottom feeder
JB	bottom feeder
JE	end feeder
JSL	side feeder left
JSR	side feeder right

Example:

**CONT V TRELATI IPR12 WB 930 10M** refers to SR Contour Light CONT V TRELATI IPR12 Indoor Series, CRI Ra 90+, CCT 3000K, wire bottom feed-in, 10meters in length.

**CONT V TRELATI OPR12 JB 830 10M** refers to SR Contour Light CONT V TRELATI OPR12 Outdoor Series, CRI Ra 80+, CCT 3000K, injection bottom feed-in, 10meters in length.

Accessory Part Number	Description
CONT V TRELATI PR AL CLIP	aluminum clip, 50mm
CONT V TRELATI PR JBE AL PROFILE	aluminum profile for bottom feed-in and end feed-in, 1005mm
CONT V TRELATI PR JSL AL PROFILE	aluminum profile for side left feed-in, 1005mm
CONT V TRELATI PR JSR AL PROFILE	aluminum profile for side right feed-in, 1005mm

LED Driver Part Number	Description
SAV-060N024X02HQA	60W 24V Constant Voltage LED Driver
SAV-096N024X400Q	96W 24V Constant Voltage LED Driver
SAV-150N024X625Q	150W 24V Constant Voltage LED Driver

\* System design will vary depending on actual project configuration. Please consult your local sales support for detailed strip length calculations, connecting cable type and length calculations

**Disclaimer:** Data might vary due to equipment tolerance. Manufacturer reserves the right to make changes to information published in this document, including without limitation specifications and product descriptions, at any time and without notice.