



SR Contour Light

# CONT H AURAS MONOCHROMATIC SERIES



## SUMMARY

bend dir.  HORIZONTAL	min bend radius 10cm	dimension  18 19	max length 10m	cutting pitch 100mm
IP indoor: IP44 outdoor: IP67	power 6W/m 9W/m 12W/m 15W/m	beam 120°	color 2200K 5000K 2400K RED 2700K GREEN 3000K BLUE 4000K YELLOW	CRI Ra 80+ Ra 90+

## DIMMING OPTIONS



## ELECTRICAL

**Supply voltage:** DC24.0V±1.0V

**Power range and supply current:**

Model	Power	Current
I/ORS06	6W/m	250mA/m
I/ORS09	9W/m	375mA/m
I/ORS12	12W/m	500mA/m
I/ORS15	15W/m	625mA/m

**ESD protection:** contact 4kV, air 8kV

## MECHANICAL

**Minimum bending radius:** 10cm

**Maximum length:** 10m

**Cutting pitch:** 100mm

**IP:** IP44/IP67

## LIFETIME, WARRANTY & COMPLIANCE

**Warranty:** 2 years\*

**Lifetime:** 50,000 hours, L70/B50@ta 65°C

**Compliance:**

- EN 62031, EN 62471, EN 60598-1, EN 60598-2-1
- EN 55015, EN 61547
- AS/NZS 60598.1, AS/NZS 60598.2.1

\* For 5-year warranty, please consult your local sales.

## FEATURES

- Excellent thermal dissipation encapsulated with high performance grade silicone material that can be used and installed at an extreme harsh environment with temperature up to 65°C
- Designed to be UV and corrosion resistant; meet UL 94 V-0 standard
- One of the smallest bend radius, 10cm, available in market, to meet various design requirements
- High uniformity with no dark spot even at the terminals
- Uniform width across Contour body, feed-in connector and profile for seamless mounting and installation
- SR® LEDShield technology†
- Lifetime: 50,000 hours

## LIGHT OUTPUT

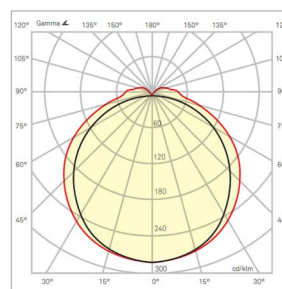
**Luminaire Lumen Output:**

lm/m	822	824	827	830	840	850
I/ORS06	305	320	340	355	370	370
I/ORS09	460	475	515	530	550	550
I/ORS12	610	635	685	710	735	735
I/ORS15	760	790	855	888	920	920

lm/m	922	924	927	930	940	950
I/ORS06	260	270	290	300	310	310
I/ORS09	390	405	435	450	470	470
I/ORS12	520	540	580	600	625	625
I/ORS15	650	675	730	755	780	780

lm/m	Red	Green	Blue	Yellow
I/ORS06	114	200	42	100
I/ORS09	170	301	63	150
I/ORS12	227	401	84	200
I/ORS15	284	501	105	250

**Beam angle:** 120°



## ENVIRONMENT

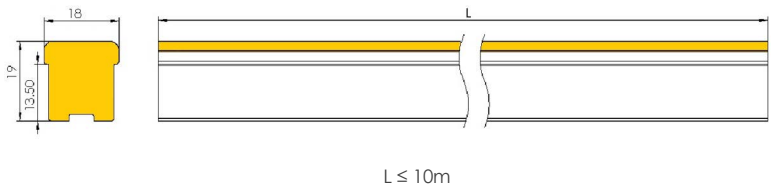
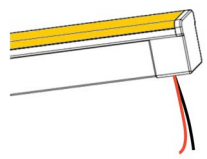
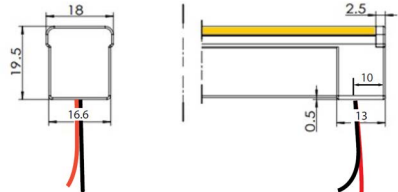
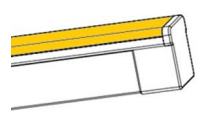
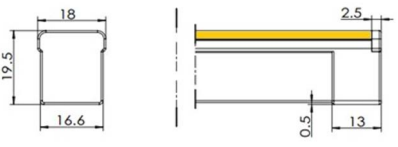
**Ambient temperature:** -40°C ... +65°C

**Storage temperature:** -40°C ... +85°C

**Working humidity:** 5% to 85%, non-condensing

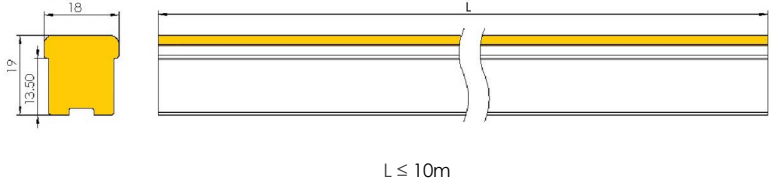
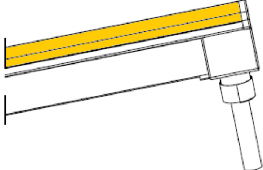
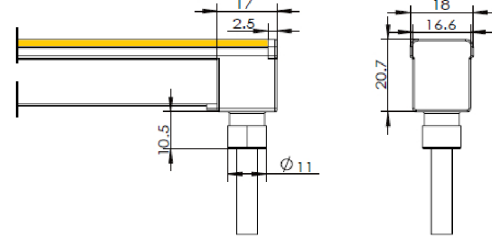
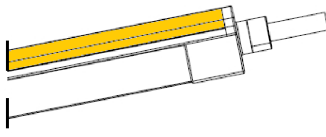
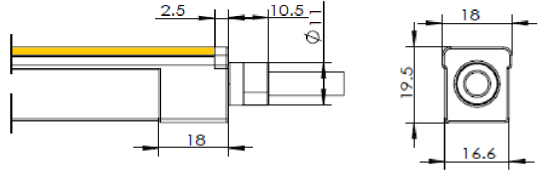
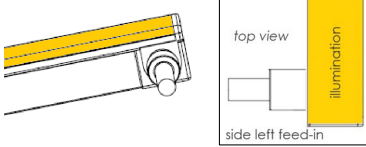
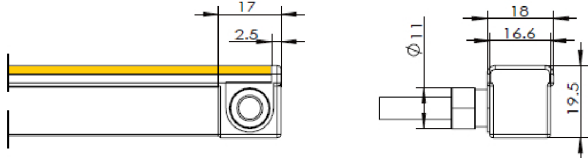
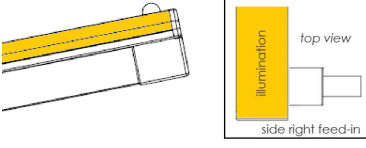
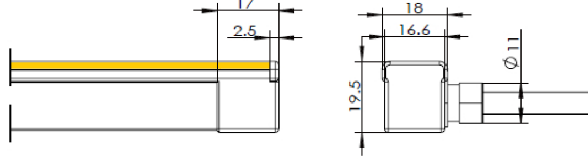
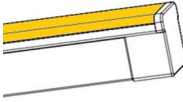
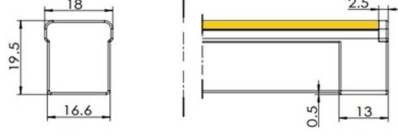
† SR® LEDShield technology: innovative mechanism protecting segment black out from single LED damage due to inappropriate external force applied during installation and handling.

**DIMENSIONS - INDOOR**

<p>CONT H AURAS IRS Body</p>	 <p>L ≤ 10m</p>
<p>Wire Bottom Feed-in</p> 	
<p>End Cap</p> 	

Additional length added to body length L is 5mm with any one feed-in (added 2.5mm) and end cap (added 2.5mm).

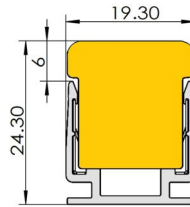
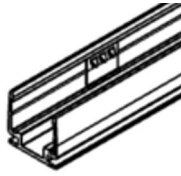
**DIMENSIONS - OUTDOOR**

<p>CONT H AURAS ORS Body</p>	 <p>L ≤ 10m</p>
<p>Injection Bottom Feed-in (JB)</p> 	
<p>Injection End Feed-in (JE)</p> 	
<p>Injection Side Left Feed-in (JSL)</p>  <p>top view illumination side left feed-in</p>	
<p>Injection Side Right Feed-in (JSR)</p>  <p>illumination top view side right feed-in</p>	
<p>Injection End Cap</p> 	

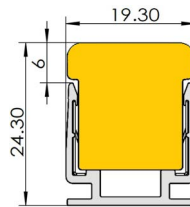
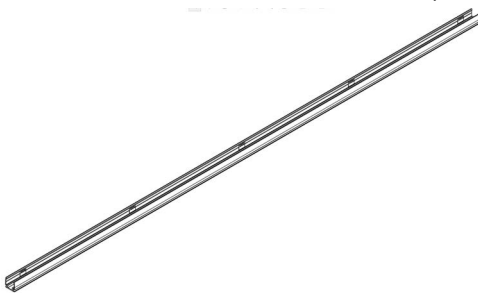
Additional length added to body length L is 5mm with any one feed-in (added 2.5mm) and end cap (added 2.5mm).

**MOUNTING ACCESSORIES**

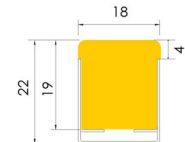
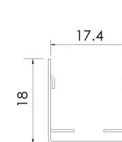
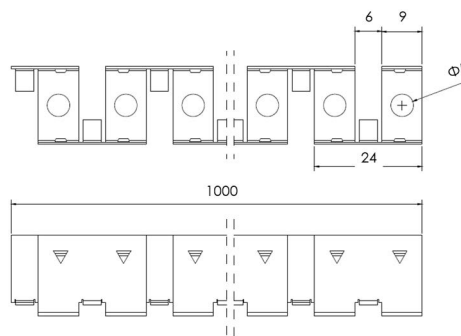
CONT AURAS RS AL CLIP AS 50MM (aluminum clip with anti-skids, 50mm)



CONT AURAS RS JBE AL PROFILE AS 1M (aluminum profile with anti-skids for bottom feed-in, 1m)  
 CONT AURAS RS JSL AL PROFILE AS 1M (aluminum profile with anti-skids for side left feed-in, 1m)  
 CONT AURAS RS JSR AL PROFILE AS 1M (aluminum profile with anti-skids for side right feed-in, 1m)



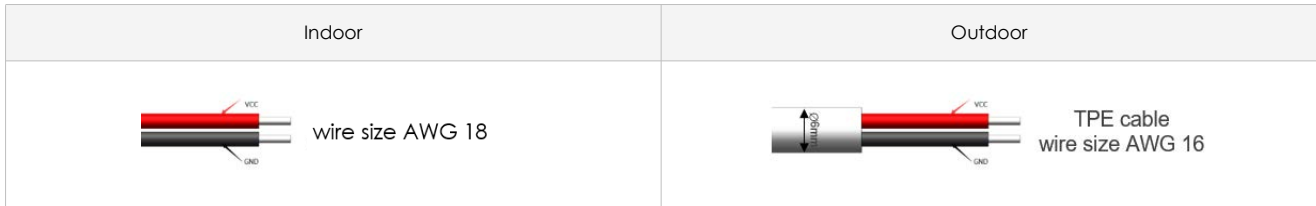
CONT AURAS SS CURVE PROFILE 1M (stainless steel curve profile, 1m)



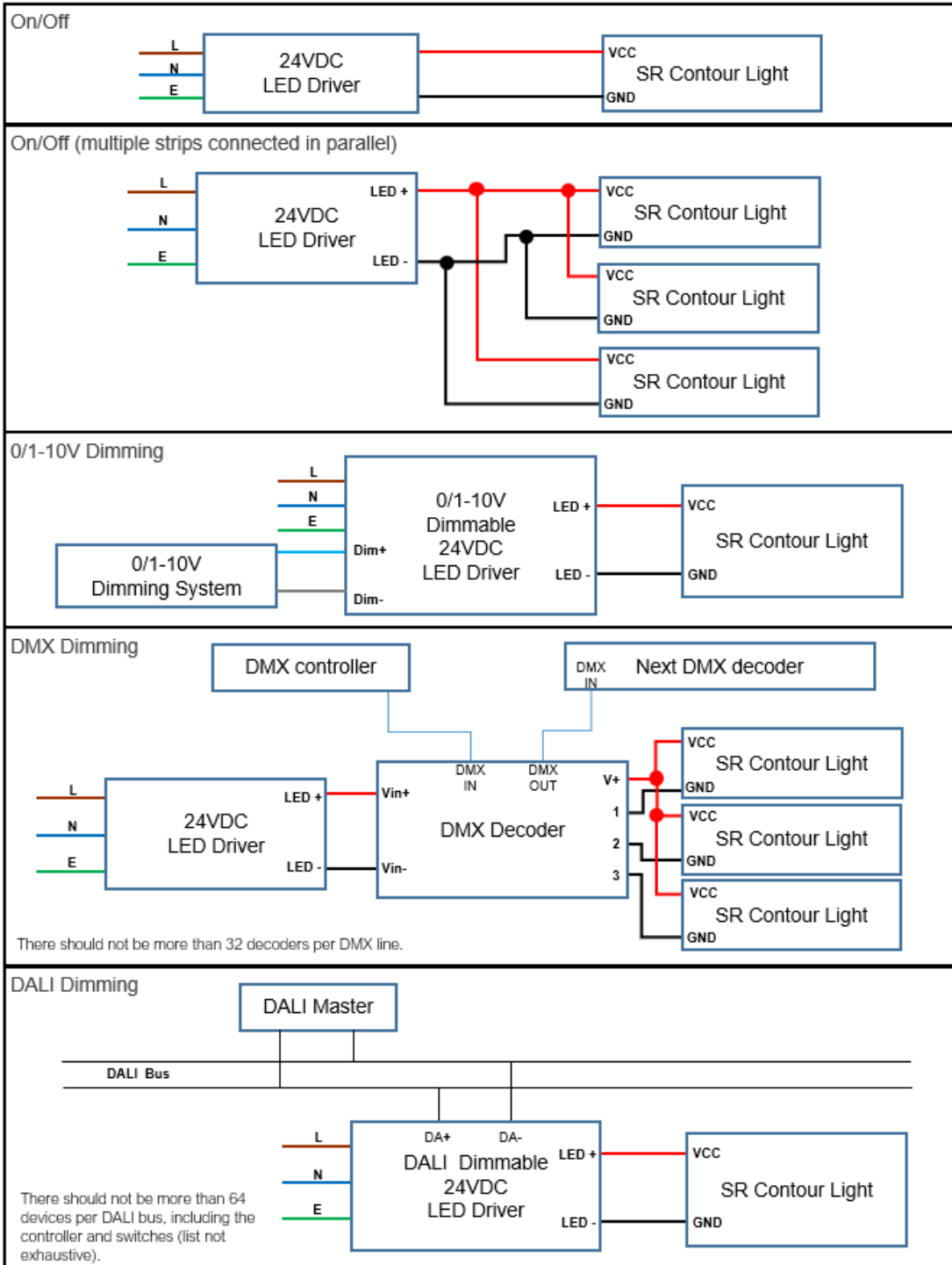
# SR Contour Light CONT H AURAS MONOCHROMATIC



## WIRING



## CONNECTIONS



# SR Contour Light CONT H AURAS MONOCHROMATIC



## ORDERING INFORMATION

SR Contour Light	Power	Feed-in Wire/Cable Direction <sup>†</sup>	CRI / CCT	Length
CONT H AURAS	IRS06 IRS09 IRS12 IRS15	WB	822 824 827 830 840 850 922 924 927	xM (x = length in meters, max 10)
	ORS06 ORS09 ORS12 ORS15	JB JE JSL JSR	930 940 950 RED GREEN BLUE YELLOW	

<sup>†</sup>Note:

Feed-in Wire/ Cable Direction	Description
WB	bottom feeder
JB	bottom feeder
JE	end feeder
JSL	side feeder left
JSR	side feeder right

Example:

**CONT H AURAS IRS12 WB 930 10M** refers to SR CONT H AURAS Monochromatic Indoor Series, horizontal bend, 12W/m, wire bottom feed-in, CRI Ra90+, CCT 3000K, IP44, 10 meters in length.

**CONT H AURAS ORS12 JE 830 10M** refers to SR CONT H AURAS Monochromatic Outdoor Series, horizontal bend, 12W/m, end feed-in, CRI Ra80+, CCT 3000K, IP67, 10 meters in length.

Accessory Ordering Code	Description
CONT AURAS RS AL CLIP AS 50MM	aluminum clip with anti-skids, 50mm
CONT AURAS RS JBE AL PROFILE AS 1M	aluminum profile with anti-skids for bottom feed-in and end feed-in, 1m
CONT AURAS RS JSL AL PROFILE AS 1M	aluminum profile with anti-skids for side left feed-in, 1m
CONT AURAS RS JSR AL PROFILE AS 1M	aluminum profile with anti-skids for side right feed-in, 1m
CONT AURAS RS SS CURVE PROFILE 1M	stainless steel curve profile, 1m

LED Driver Ordering Code	Description
SAV-060N024X02HQA	60W 24V Constant Voltage LED Driver
SAV-096N024X400Q	96W 24V Constant Voltage LED Driver
SAV-150N024X625Q	150W 24V Constant Voltage LED Driver

Note: System design will vary depending on actual project configuration. Please consult your local sales support for details in length in series connection, connecting cable type and lengths.

**Disclaimer:** Data might vary due to equipment tolerance. Manufacturer reserves the right to make changes to information published in this document, including without limitation specifications and product descriptions, at any time and without notice.