

SR Contour Light

CONT V AURAS MONOCHROMATIC SERIES



SUMMARY

bend dir. VERTICAL	min bend radius 10cm	dimension 18 19	max length 10m	cutting pitch 100mm
IP indoor: IP44 outdoor: IP67	power 6W/m 9W/m 12W/m 15W/m	beam 120°	color 2200K 2400K 2700K 3000K 4000K 5000K RED GREEN BLUE YELLOW	CRI Ra 80+ Ra 90+

DIMMING OPTIONS



ELECTRICAL

Supply voltage: DC24.0V±1.0V

Power range and supply current:

	Power	Current
I/ORS06	6W/m	250mA/m
I/ORS09	9W/m	375mA/m
I/ORS12	12W/m	500mA/m
I/ORS15	15W/m	625mA/m

ESD protection: contact 4kV, air 8kV

MECHANICAL

Minimum bending radius: 10cm

Maximum length: 10m

Cutting pitch: 100mm

IP: IP44/IP67

LIFETIME, WARRANTY & COMPLIANCE

Warranty: 2 years*

Lifetime: 50,000 hours, L70/B50@ta 65°C

Compliance:

- EN 62031, EN 62471, EN 60598-1, EN 60598-2-1
- EN 55015, EN 61547
- AS/NZS 60598.1, AS/NZS 60598.2.1

* For 5-year warranty, please consult your local sales.

FEATURES

- Excellent thermal dissipation encapsulated with high performance grade silicone material that can be used and installed at an extreme harsh environment with temperature up to 65°C
- Designed to be UV and corrosion resistant; meet UL 94 V-0 standard
- One of the smallest bend radius, 10cm, available in market, to meet various design requirements
- High uniformity with no dark spot even at the terminals
- Uniform width across Contour body, feed-in connector and profile for seamless mounting and installation
- SR® LEDShield technology†
- Lifetime: 50,000 hours

LIGHT OUTPUT

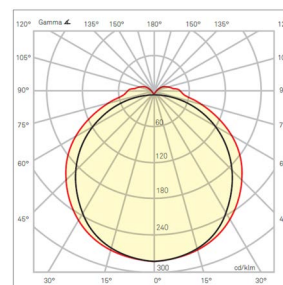
Luminaire Lumen Output:

lm/m	822	824	827	830	840	850
I/ORS06	360	375	405	420	435	435
I/ORS09	540	560	610	630	650	650
I/ORS12	720	750	810	840	870	870
I/ORS15	900	938	1013	1050	1088	1088

lm/m	922	924	927	930	940	950
I/ORS06	306	319	344	357	370	370
I/ORS09	460	480	515	535	555	555
I/ORS12	612	638	689	714	740	740
I/ORS15	765	780	860	895	925	925

lm/m	Red	Green	Blue	Yellow
I/ORS06	135	239	50	119
I/ORS09	203	358	75	179
I/ORS12	270	477	100	238
I/ORS15	338	597	125	298

Beam angle: 120°



ENVIRONMENT

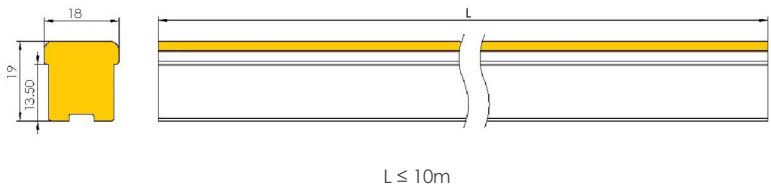
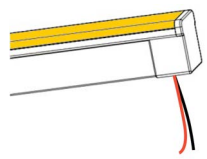
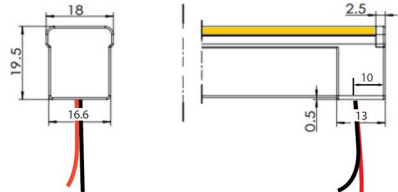
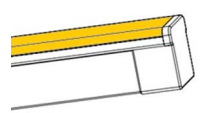
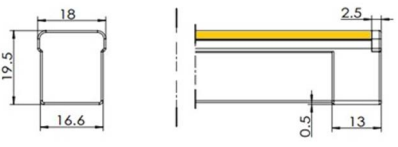
Ambient temperature: -40°C ... +65°C

Storage temperature: -40°C ... +85°C

Working humidity: 5% to 85%, non-condensing

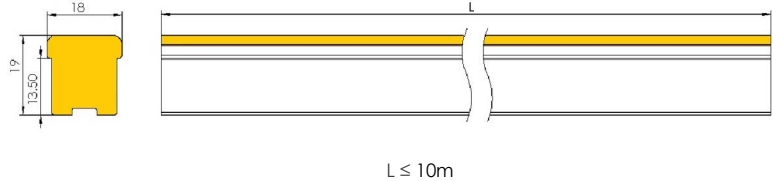
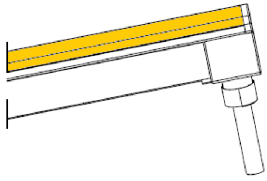
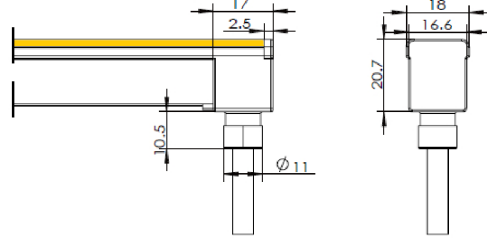
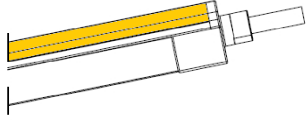
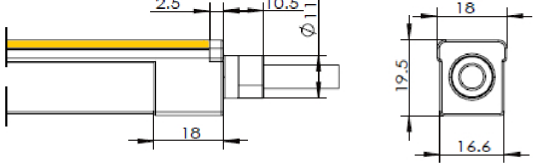
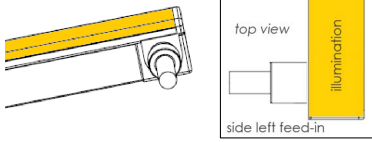
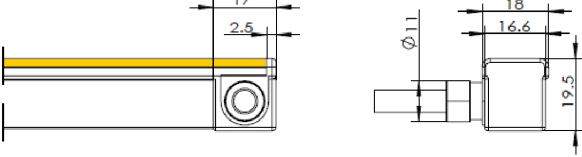
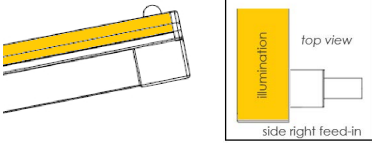
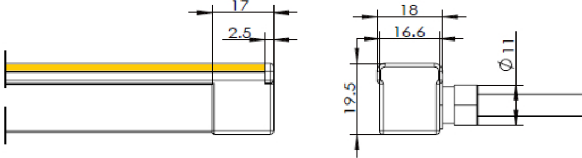
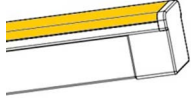
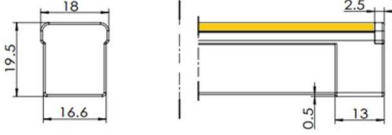
† SR® LEDShield technology: innovative mechanism protecting segment black out from single LED damage due to inappropriate external force applied during installation and handling.

DIMENSIONS - INDOOR

<p>CONT V AURAS IRS Body</p>	 <p style="text-align: center;">$L \leq 10m$</p>
<p>Wire Bottom Feed-in</p> 	
<p>End Cap</p> 	

Additional length added to body length L is 5mm with any one feed-in (added 2.5mm) and end cap (added 2.5mm).

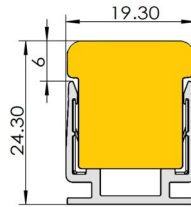
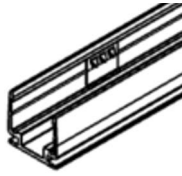
DIMENSIONS - OUTDOOR

<p>CONT V AURAS ORS Body</p>	 <p>$L \leq 10m$</p>
<p>Injection Bottom Feed-in (JB)</p> 	
<p>Injection End Feed-in (JE)</p> 	
<p>Injection Side Left Feed-in (JSL)</p> 	
<p>Injection Side Right Feed-in (JSR)</p> 	
<p>Injection End Cap</p> 	

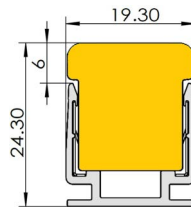
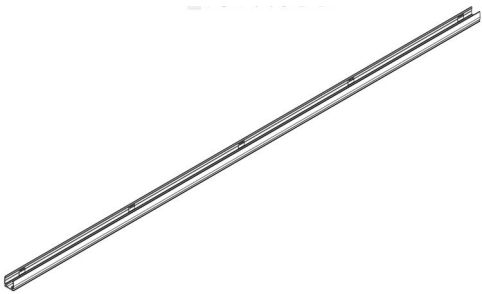
Additional length added to body length L is 5mm with any one feed-in (added 2.5mm) and end cap (added 2.5mm).

MOUNTING ACCESSORIES

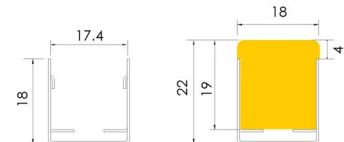
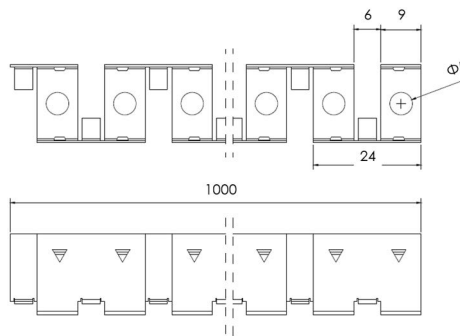
CONT AURAS RS AL CLIP 50MM



CONT AURAS RS JBE AL PROFILE AS 1M (aluminum profile with anti-skids for bottom feed-in, 1m)
 CONT AURAS RS JSL AL PROFILE AS 1M (aluminum profile with anti-skids for side left feed-in, 1m)
 CONT AURAS RS JSR AL PROFILE AS 1M (aluminum profile with anti-skids for side right feed-in, 1m)

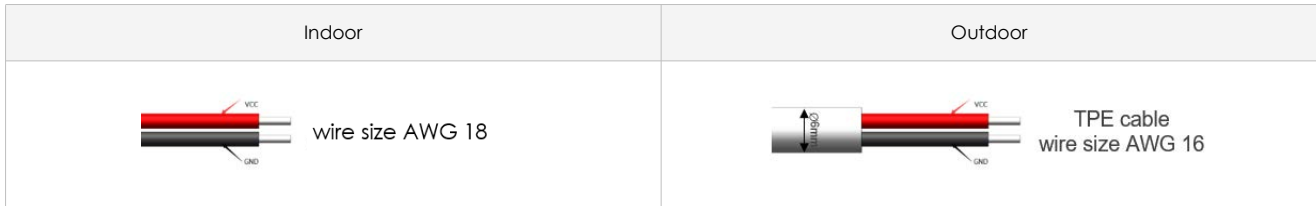


CONT AURAS SS CURVE PROFILE 1M (stainless steel curve profile, 1m)

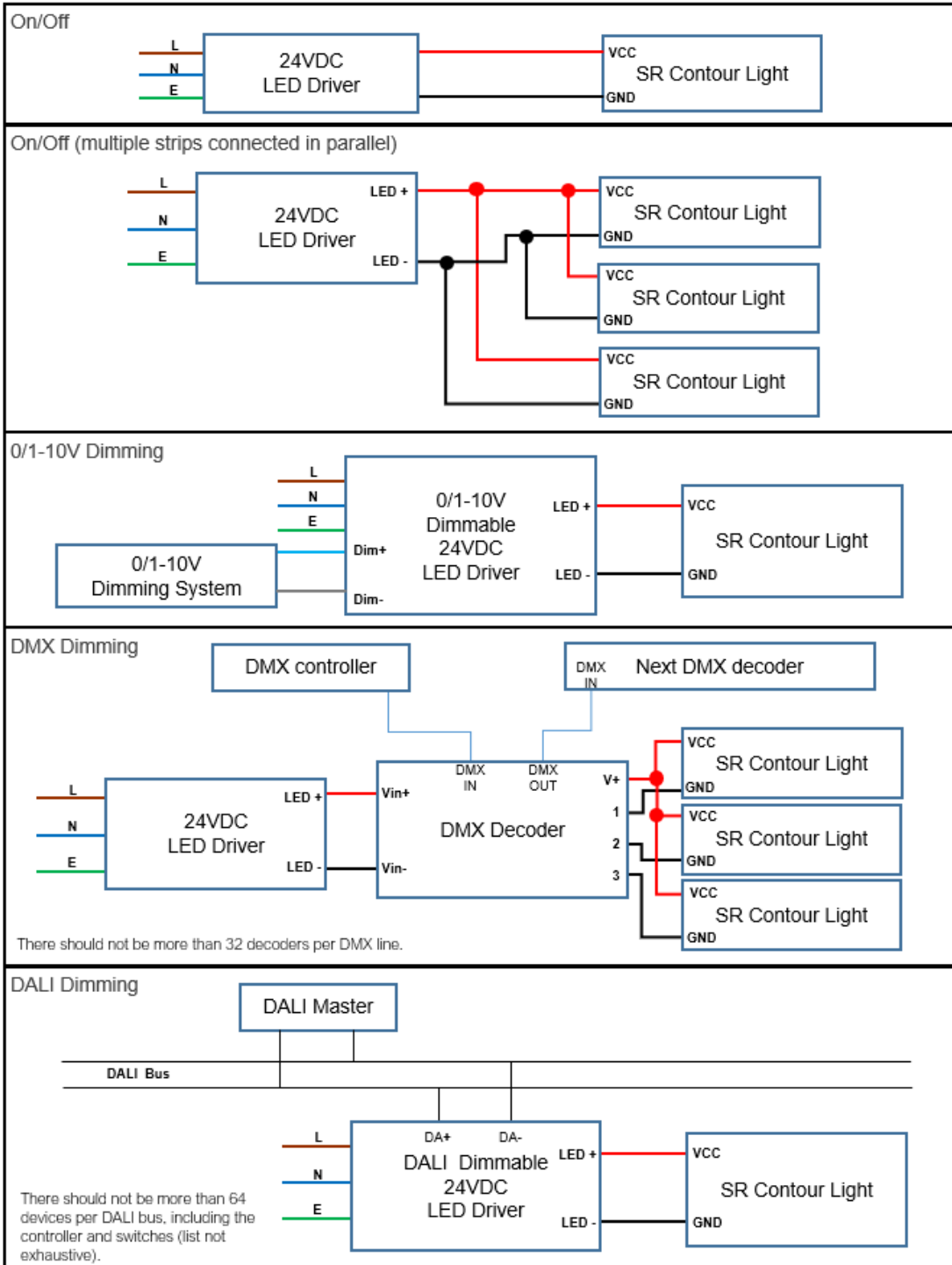




WIRING



CONNECTIONS



SR Contour Light CONT V AURAS MONOCHROMATIC



ORDERING INFORMATION

SR Contour Light	Power	Feed-in Wire/Cable Direction [†]	CRI / CCT	Length
CONT V AURAS	IRS06 IRS09 IRS12 IRS15	WB	822 824 827 830 840 850 922 924 927 930 940	xM (x = length in meters, max 10)
	ORS06 ORS09 ORS12 ORS15	JB JE JSL JSR	950 RED GREEN BLUE YELLOW	

[†]Note:

Feed-in Wire/ Cable Direction	Description
WB	bottom feeder
JB	bottom feeder
JE	end feeder
JSL	side feeder left
JSR	side feeder right

Example:

CONT V AURAS IRS12 WB 930 10M refers to SR CONT V AURAS Monochromatic Indoor Series, vertical bend, 12W/m, wire bottom feed-in, CRI Ra90+, CCT 3000K, IP44, 10 meters in length.

CONT V AURAS ORS12 JE 830 10M refers to SR CONT V AURAS Monochromatic Outdoor Series, vertical bend, 12W/m, cable end feed-in, CRI Ra80+, CCT 3000K, IP67, 10 meters in length.

Accessory Ordering Code	Description
CONT AURAS RS AL CLIP AS 50MM	aluminum clip with anti-skids, 50mm
CONT AURAS RS JBE AL PROFILE AS 1M	aluminum profile with anti-skids for bottom feed-in and end feed-in, 1m
CONT AURAS RS JSL AL PROFILE AS 1M	aluminum profile with anti-skids for side left feed-in, 1m
CONT AURAS RS JSR AL PROFILE AS 1M	aluminum profile with anti-skids for side right feed-in, 1m
CONT AURAS SS CURVE PROFILE 1M	stainless steel curve profile, 1m

LED Drivers	Description
SAV-060N024X02HQA	60W 24V Constant Voltage LED Driver
SAV-096N024X400Q	96W 24V Constant Voltage LED Driver
SAV-150N024X625Q	150W 24V Constant Voltage LED Driver

Note: System design will vary depending on actual project configuration. Please consult your local sales support for details in length in series connection, connecting cable type and lengths.

Disclaimer: Data might vary due to equipment tolerance. Manufacturer reserves the right to make changes to information published in this document, including without limitation specifications and product descriptions, at any time and without notice.