



SR Landscape Light

TUBO SERIES LED PROJECTOR



SUMMARY

diameter S: Ø47mm M: Ø60mm L: Ø75mm	mounting surface mount ground spike tree strap	housing color 	optical construction cap half snoot full snoot	accessory honeycomb spread lens frosted lens
IP IP66	power S: 1/3W M: 6/9W L: 11/15W	beam 12° 28° 36°	color 2700K 4000K 3000K 5000K 3500K	CRI Ra 90+

FEATURES

- Adjustable LED projector for accentuating or floodlighting
- Wide range of beam angle selections: 12°/28°/36°
- Wide selection of optical accessories: half snoot, full snoot, honeycomb, spread lens
- Flexible mounting options, surface mount with base, ground spike and tree strap ensuring the Tubo can be installed where is it needed

DIMMING OPTIONS



LIGHT OUTPUT

CRI/CCT: 927, 930, 935, 940, 950

Beam angle: 12°, 28°, 36°

Luminaire Lumen Output:

SR Tubo	Power	Flux (lm)
S	1W	80
	3W	200
M	6W	500
	9W	650
L	11W	750
	15W	950

Optical accessories: honeycomb, spread lens, frosted lens, half snoot, full snoot

ELECTRICAL

Supply voltage: DC24V±1.0V

Power range:

SR Tubo	Power
S	1W
	3W
M	6W
	9W
L	11W
	15W

ESD Protection: contact 4kV, air 8kV

ENVIRONMENT

Ambient temperature: -20°C ... +45°C

Storage temperature: -20°C ... +65°C

Working humidity: 5% to 85%, non-condensing

MECHANICAL

Mounting: surface mount base, ground spike, tree strap

Material: aluminum die cast

Housing color:



IP: IP66

LIFETIME, WARRANTY & COMPLIANCE

Warranty: 3 years

Lifetime: 30,000 hours at L70/B50 ta 30°C

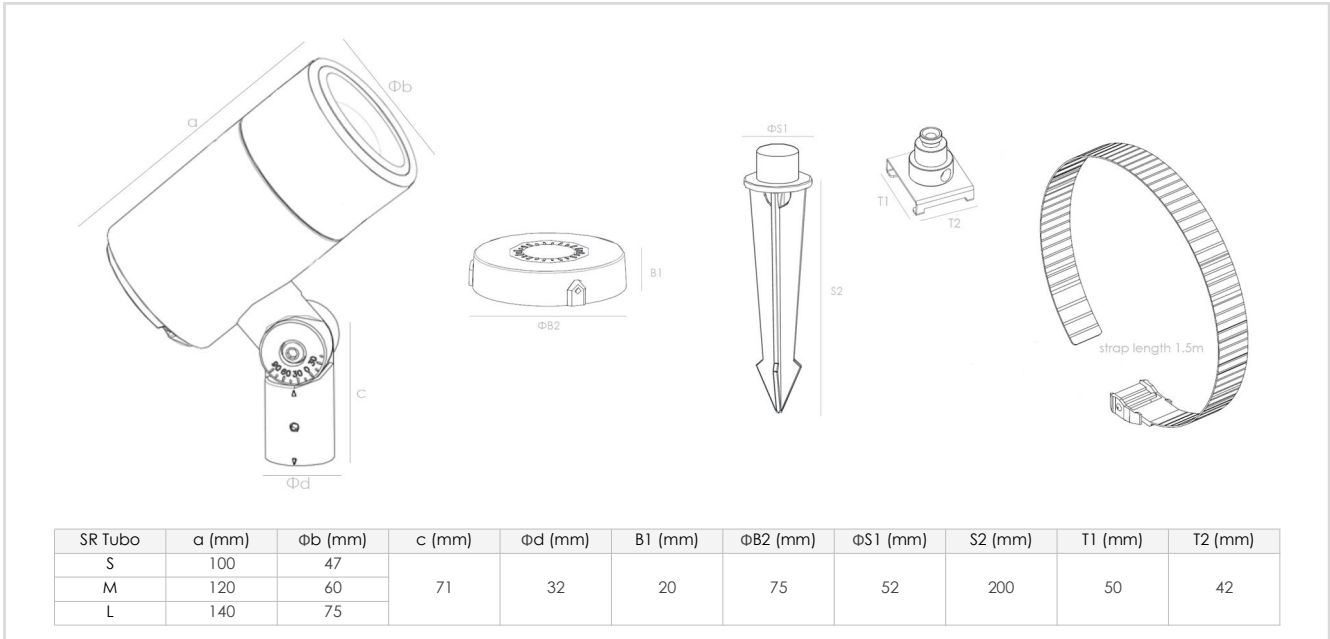
Compliance: CE



PHOTOMETRY

<p>930 12°</p>		<table border="1"> <thead> <tr> <th rowspan="2">Height (m)</th> <th colspan="2">E (lx)</th> <th rowspan="2">D (m)</th> </tr> <tr> <th>S 3W</th> <th>M 6W</th> </tr> </thead> <tbody> <tr> <td>1</td> <td>730</td> <td>1453</td> <td>0.20</td> </tr> <tr> <td>2</td> <td>183</td> <td>363</td> <td>0.40</td> </tr> <tr> <td>3</td> <td>81</td> <td>161</td> <td>0.60</td> </tr> <tr> <td>4</td> <td>46</td> <td>91</td> <td>0.80</td> </tr> <tr> <td>5</td> <td>29</td> <td>58</td> <td>1.00</td> </tr> </tbody> </table> <p>I (cd) 2344 4668</p>	Height (m)	E (lx)		D (m)	S 3W	M 6W	1	730	1453	0.20	2	183	363	0.40	3	81	161	0.60	4	46	91	0.80	5	29	58	1.00
Height (m)	E (lx)			D (m)																								
	S 3W	M 6W																										
1	730	1453	0.20																									
2	183	363	0.40																									
3	81	161	0.60																									
4	46	91	0.80																									
5	29	58	1.00																									
<p>930 28°</p>		<table border="1"> <thead> <tr> <th rowspan="2">Height (m)</th> <th colspan="2">E (lx)</th> <th rowspan="2">D (m)</th> </tr> <tr> <th>S 3W</th> <th>M 6W</th> </tr> </thead> <tbody> <tr> <td>1</td> <td>528</td> <td>1063</td> <td>0.48</td> </tr> <tr> <td>2</td> <td>132</td> <td>266</td> <td>0.96</td> </tr> <tr> <td>3</td> <td>59</td> <td>118</td> <td>1.44</td> </tr> <tr> <td>4</td> <td>33</td> <td>66</td> <td>1.92</td> </tr> <tr> <td>5</td> <td>21</td> <td>43</td> <td>2.40</td> </tr> </tbody> </table> <p>I (cd) 2344 4668</p>	Height (m)	E (lx)		D (m)	S 3W	M 6W	1	528	1063	0.48	2	132	266	0.96	3	59	118	1.44	4	33	66	1.92	5	21	43	2.40
Height (m)	E (lx)			D (m)																								
	S 3W	M 6W																										
1	528	1063	0.48																									
2	132	266	0.96																									
3	59	118	1.44																									
4	33	66	1.92																									
5	21	43	2.40																									
<p>930 36°</p>		<table border="1"> <thead> <tr> <th rowspan="2">Height (m)</th> <th colspan="2">E (lx)</th> <th rowspan="2">D (m)</th> </tr> <tr> <th>S 3W</th> <th>M 6W</th> </tr> </thead> <tbody> <tr> <td>1</td> <td>371</td> <td>741</td> <td>0.63</td> </tr> <tr> <td>2</td> <td>93</td> <td>185</td> <td>1.26</td> </tr> <tr> <td>3</td> <td>41</td> <td>82</td> <td>1.89</td> </tr> <tr> <td>4</td> <td>23</td> <td>46</td> <td>2.52</td> </tr> <tr> <td>5</td> <td>15</td> <td>30</td> <td>3.15</td> </tr> </tbody> </table> <p>I (cd) 2344 4668</p>	Height (m)	E (lx)		D (m)	S 3W	M 6W	1	371	741	0.63	2	93	185	1.26	3	41	82	1.89	4	23	46	2.52	5	15	30	3.15
Height (m)	E (lx)			D (m)																								
	S 3W	M 6W																										
1	371	741	0.63																									
2	93	185	1.26																									
3	41	82	1.89																									
4	23	46	2.52																									
5	15	30	3.15																									

DIMENSIONS



OPTICAL CONSTRUCTION



MOUNTING ACCESSORY



OPTICAL ACCESSORIES



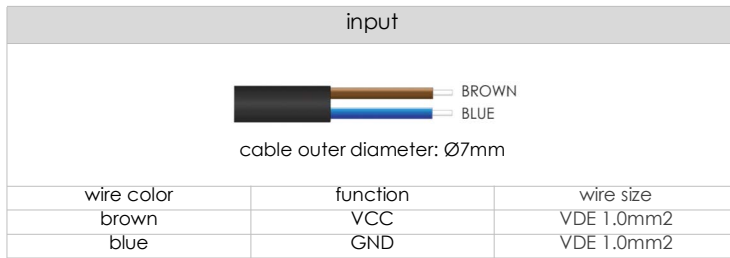
MOUNTING OPTIONS



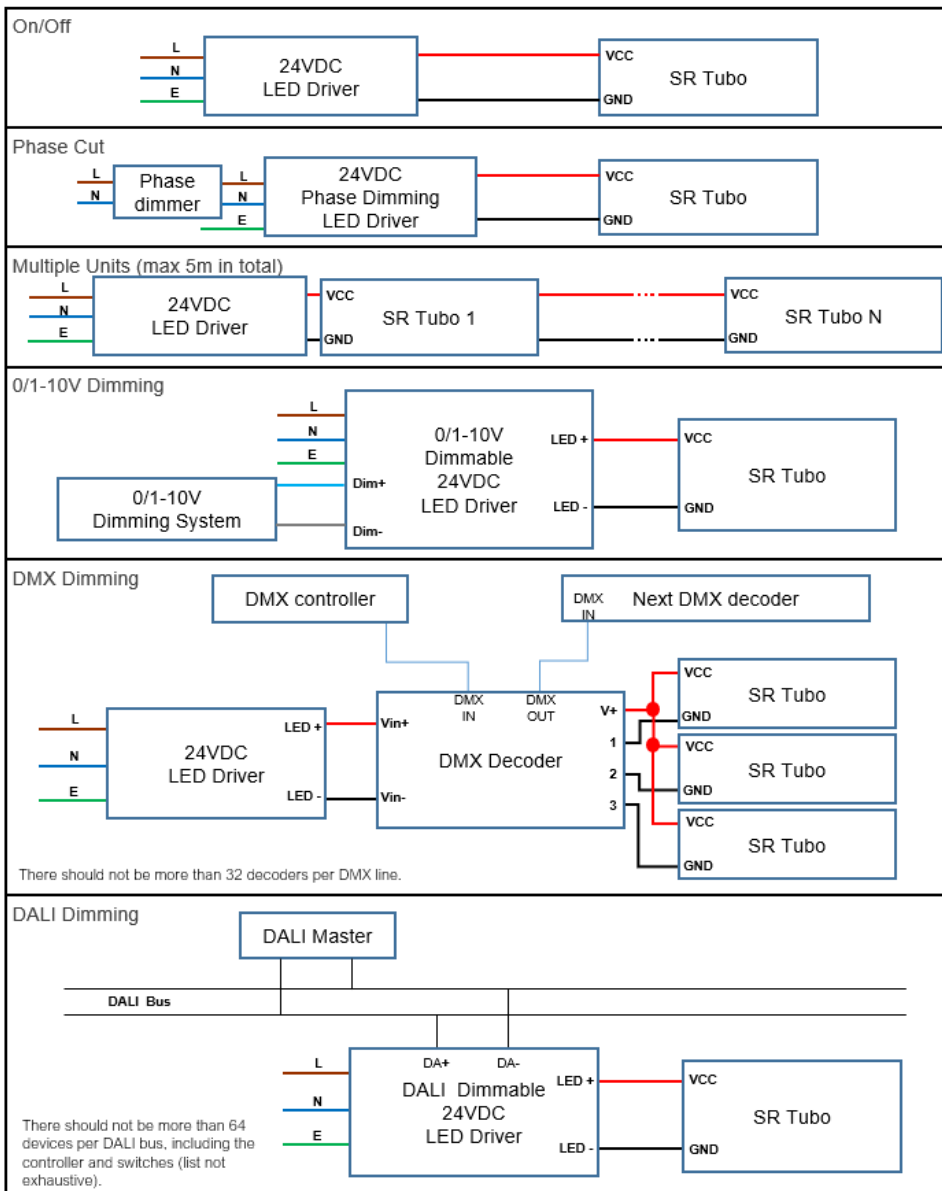
SR Landscape Light TUBO SERIES LED PROJECTOR



WIRING



CONNECTIONS



SR Landscape Light TUBO SERIES LED PROJECTOR



ORDERING INFORMATION

SR Tubo Series	Model	Power	CRI/CCT	Beam Angle [†]	Mounting [‡]	Optical Construction [*]	Optical Accessory 1 [#]	Optical Accessory 2 ^{##}
SRTUBO	S	1W 3W	927 930 935 940 950	NRB MDB WDB	SFM SPIKE STRAP	CAP SNH SNF	NA HC	NA FRO SPD
	M	6W 9W						
	L	11W 15W						

Example: SRTUBO S 3W 930 MB SFM SNH HC NA refers to SR Tubo LED Projector Series IP66, S model, 3W, CRI Ra90+, CCT 3000K, beam angle 28°, surface mount base with half snoot and honeycomb.

Beam Angle [†]	Description
NRB	12°
MDB	28°
WDB	36°

Optical Construction [*]	Description
CAP	front cap
SNH	half snoot
SNF	full snoot

Mounting [‡]	Description
SFM	surface mount base
SPIKE	ground spike
STRAP	tree strap mount (include base and 1.5m nylon strap)

Optical Accessories 1 [#]	Optical Accessories 2 ^{##}	Description
NA	NA	no accessory
HC	--	honeycomb
--	FRO	frosted lens
--	SPD	spread lens

SR Tubo Accessories	Description
SRTUBO HC S	honeycomb with holder, S
SRTUBO HC M	honeycomb with holder, M
SRTUBO HC L	honeycomb with holder, L
SRTUBO SPD S	spread lens with holder, S
SRTUBO SPD M	spread lens with holder, M
SRTUBO SPD L	spread lens with holder, L
SRTUBO FRO S	frosted lens with holder, S
SRTUBO FRO M	frosted lens with holder, M
SRTUBO FRO L	frosted lens with holder, L
SRTUBO HC FRO S	honeycomb and frosted lens with holder, S
SRTUBO HC FRO M	honeycomb and frosted lens with holder, M
SRTUBO HC FRO L	honeycomb and frosted lens with holder, L
SRTUBO HC SPD S	honeycomb and spread lens with holder, S
SRTUBO HC SPD M	honeycomb and spread lens with holder, M
SRTUBO HC SPD L	honeycomb and spread lens with holder, L
SRTUBO CAP S	front cap S
SRTUBO CAP M	front cap M
SRTUBO CAP L	front cap L
SRTUBO SNH S	half snoot S
SRTUBO SNH M	half snoot M
SRTUBO SNH L	half snoot L
SRTUBO SNF S	full snoot S
SRTUBO SNF M	full snoot M
SRTUBO SNF L	full snoot L
SRTUBO SFM	surface mount base
SRTUBO SPIKE	ground spike
SRTUBO STRAP	strap mount base and 1.5m nylon tree strap
SRTUBO EXT POLE	pole extension (length: 500mm, Ø32mm)

LED Drivers	Description
SAV-060N024X02HQA	60W 24V Constant Voltage LED Driver
SAV-096N024X400Q	96W 24V Constant Voltage LED Driver
SAV-150N024X625Q	150W 24V Constant Voltage LED Driver

Disclaimer: Data might vary due to equipment tolerance. Manufacturer reserves the right to make changes to information published in this document, including without limitation specifications and product descriptions, at any time and without notice.