



SR ID DL

# DYNA L SERIES



## SUMMARY

dimension Ø110mm	height MX9: 102mm MX11: 129mm MX15: 136mm MX20: 153mm	cut out 100mm	trim W B	reflector W B DRM MIR
IP IP40 IP65	power MX9 MX11 MX15 MX20	beam 13° 24° 38° 50°	color 	CRI Ra90+ Ra80+

## FEATURES

- Sleek and elegant recessed mounting downlight
- Easy installation and maintenance with modular system design
- Wide range of beam angle selections: 13°/24°/38°/50°
- Available in IP40 or IP65
- Long lifetime, 50,000 hours
- Honeycomb, spread lens, diffuser lens, anti-glare snoot and adjustable snoot accessory options

## DIMMING



## LIGHT OUTPUT

Light source: Citizen COB

CRI/CCT: 927, 930, 940, 827, 830, 840, 850

Light distribution: symmetric

Beam angle: 13°/24°/38°/50°

Luminaire Lumen Output:

SR ID DL	Modular X	Beam Angle	Flux (lm)		
			927	930	940
Dyna L Series	MX9	13°	363	384	418
		24°	356	371	383
		38°	346	365	402
		50°	330	347	382
	MX11	13°	448	475	517
		24°	471	491	507
		38°	450	474	522
		50°	448	471	520
	MX15	13°	624	661	719
		24°	694	725	747
		38°	662	697	769
		50°	609	641	707
	MX20	24°	1010	1054	1087
		38°	979	1022	1054
		50°	978	1021	1052

## ELECTRICAL

Supply voltage: 220-240V~

System power, total supply current and voltage to MX:

SR ID DL	Modular X	Beam angle	W	mA	V(typ)*	
Dyna L Series	MX9	13°	7	180	30	
	MX11		9	250		
	MX15		13	350		
	MX9	all other beam angles	9	180		36
	MX11		11	250		
	MX15		15	350		
	MX20		20	500		

## Optical accessories:



## MECHANICAL

IIP: IP40/IP65

Cut out: Ø100mm

Mounting: ceiling recessed

Material: aluminum die cast

Color:

housing/trim	reflector
W B	W B DRM MIR

## LIFETIME, WARRANTY & COMPLIANCE

Warranty: 3 years

Lifetime: 50,000 hours

Compliance: CE

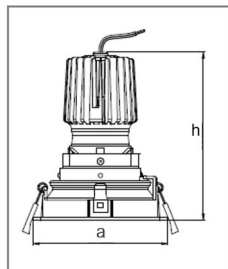
Operating temperature: -20...+45°C



PHOTOMETRY

<p>930 13° SR16</p>		<table border="1"> <thead> <tr> <th rowspan="2">Height (m)</th> <th colspan="3">E (lx)</th> <th rowspan="2">D (m)</th> </tr> <tr> <th>MX9</th> <th>MX11</th> <th>MX15</th> </tr> </thead> <tbody> <tr> <td>1</td> <td>4786</td> <td>5917</td> <td>8179</td> <td>0.24</td> </tr> <tr> <td>2</td> <td>1197</td> <td>1479</td> <td>2045</td> <td>0.48</td> </tr> <tr> <td>3</td> <td>532</td> <td>657</td> <td>909</td> <td>0.72</td> </tr> <tr> <td>4</td> <td>299</td> <td>370</td> <td>511</td> <td>0.96</td> </tr> <tr> <td>5</td> <td>191</td> <td>237</td> <td>327</td> <td>1.20</td> </tr> <tr> <td>I(cd)</td> <td>4789</td> <td>5923</td> <td>8234</td> <td></td> </tr> </tbody> </table>	Height (m)	E (lx)			D (m)	MX9	MX11	MX15	1	4786	5917	8179	0.24	2	1197	1479	2045	0.48	3	532	657	909	0.72	4	299	370	511	0.96	5	191	237	327	1.20	I(cd)	4789	5923	8234									
Height (m)	E (lx)			D (m)																																												
	MX9	MX11	MX15																																													
1	4786	5917	8179	0.24																																												
2	1197	1479	2045	0.48																																												
3	532	657	909	0.72																																												
4	299	370	511	0.96																																												
5	191	237	327	1.20																																												
I(cd)	4789	5923	8234																																													
<p>930 24° SR16</p>		<table border="1"> <thead> <tr> <th rowspan="2">Height (m)</th> <th colspan="4">E (lx)</th> <th rowspan="2">D (m)</th> </tr> <tr> <th>MX9</th> <th>MX11</th> <th>MX15</th> <th>MX20</th> </tr> </thead> <tbody> <tr> <td>1</td> <td>1431</td> <td>1880</td> <td>2761</td> <td>5312</td> <td>0.42</td> </tr> <tr> <td>2</td> <td>358</td> <td>470</td> <td>690</td> <td>1328</td> <td>0.84</td> </tr> <tr> <td>3</td> <td>159</td> <td>209</td> <td>307</td> <td>590</td> <td>1.26</td> </tr> <tr> <td>4</td> <td>89</td> <td>118</td> <td>173</td> <td>332</td> <td>1.68</td> </tr> <tr> <td>5</td> <td>57</td> <td>75</td> <td>110</td> <td>212</td> <td>2.1</td> </tr> <tr> <td>I(cd)</td> <td>1450</td> <td>1959</td> <td>2805</td> <td>5423</td> <td></td> </tr> </tbody> </table>	Height (m)	E (lx)				D (m)	MX9	MX11	MX15	MX20	1	1431	1880	2761	5312	0.42	2	358	470	690	1328	0.84	3	159	209	307	590	1.26	4	89	118	173	332	1.68	5	57	75	110	212	2.1	I(cd)	1450	1959	2805	5423	
Height (m)	E (lx)				D (m)																																											
	MX9	MX11	MX15	MX20																																												
1	1431	1880	2761	5312	0.42																																											
2	358	470	690	1328	0.84																																											
3	159	209	307	590	1.26																																											
4	89	118	173	332	1.68																																											
5	57	75	110	212	2.1																																											
I(cd)	1450	1959	2805	5423																																												
<p>930 38° SR16</p>		<table border="1"> <thead> <tr> <th rowspan="2">Height (m)</th> <th colspan="4">E (lx)</th> <th rowspan="2">D (m)</th> </tr> <tr> <th>MX9</th> <th>MX11</th> <th>MX15</th> <th>MX20</th> </tr> </thead> <tbody> <tr> <td>1</td> <td>821</td> <td>1077</td> <td>1579</td> <td>3234</td> <td>0.70</td> </tr> <tr> <td>2</td> <td>205</td> <td>269</td> <td>395</td> <td>809</td> <td>1.40</td> </tr> <tr> <td>3</td> <td>91</td> <td>120</td> <td>175</td> <td>359</td> <td>2.10</td> </tr> <tr> <td>4</td> <td>51</td> <td>67</td> <td>99</td> <td>202</td> <td>2.80</td> </tr> <tr> <td>5</td> <td>33</td> <td>43</td> <td>63</td> <td>129</td> <td>3.50</td> </tr> <tr> <td>I(cd)</td> <td>836</td> <td>1098</td> <td>1599</td> <td>3251</td> <td></td> </tr> </tbody> </table>	Height (m)	E (lx)				D (m)	MX9	MX11	MX15	MX20	1	821	1077	1579	3234	0.70	2	205	269	395	809	1.40	3	91	120	175	359	2.10	4	51	67	99	202	2.80	5	33	43	63	129	3.50	I(cd)	836	1098	1599	3251	
Height (m)	E (lx)				D (m)																																											
	MX9	MX11	MX15	MX20																																												
1	821	1077	1579	3234	0.70																																											
2	205	269	395	809	1.40																																											
3	91	120	175	359	2.10																																											
4	51	67	99	202	2.80																																											
5	33	43	63	129	3.50																																											
I(cd)	836	1098	1599	3251																																												
<p>930 50° SR16</p>		<table border="1"> <thead> <tr> <th rowspan="2">Height (m)</th> <th colspan="4">E (lx)</th> <th rowspan="2">D (m)</th> </tr> <tr> <th>MX9</th> <th>MX11</th> <th>MX15</th> <th>MX20</th> </tr> </thead> <tbody> <tr> <td>1</td> <td>572</td> <td>776</td> <td>1117</td> <td>1724</td> <td>0.90</td> </tr> <tr> <td>2</td> <td>143</td> <td>194</td> <td>279</td> <td>431</td> <td>1.80</td> </tr> <tr> <td>3</td> <td>64</td> <td>86</td> <td>124</td> <td>192</td> <td>2.70</td> </tr> <tr> <td>4</td> <td>36</td> <td>49</td> <td>70</td> <td>108</td> <td>3.60</td> </tr> <tr> <td>5</td> <td>23</td> <td>31</td> <td>45</td> <td>69</td> <td>4.50</td> </tr> <tr> <td>I(cd)</td> <td>580</td> <td>775</td> <td>1131</td> <td>1730</td> <td></td> </tr> </tbody> </table>	Height (m)	E (lx)				D (m)	MX9	MX11	MX15	MX20	1	572	776	1117	1724	0.90	2	143	194	279	431	1.80	3	64	86	124	192	2.70	4	36	49	70	108	3.60	5	23	31	45	69	4.50	I(cd)	580	775	1131	1730	
Height (m)	E (lx)				D (m)																																											
	MX9	MX11	MX15	MX20																																												
1	572	776	1117	1724	0.90																																											
2	143	194	279	431	1.80																																											
3	64	86	124	192	2.70																																											
4	36	49	70	108	3.60																																											
5	23	31	45	69	4.50																																											
I(cd)	580	775	1131	1730																																												

DIMENSIONS

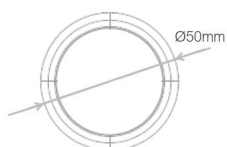


SR ID DL	Modular X	Øa (mm)	h (mm)
SRDYL	MX9	110	102
	MX11		129
	MX15		136
	MX20		153



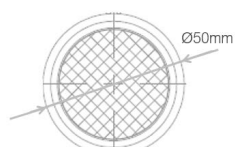
diffusing / spread lens

DF/SPD



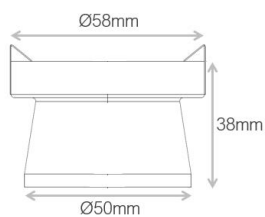
honeycomb

HC



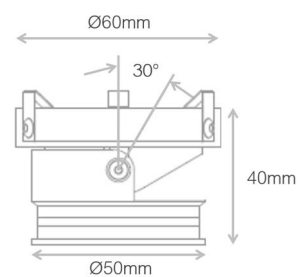
deep recessed anti-glare snoot

SN



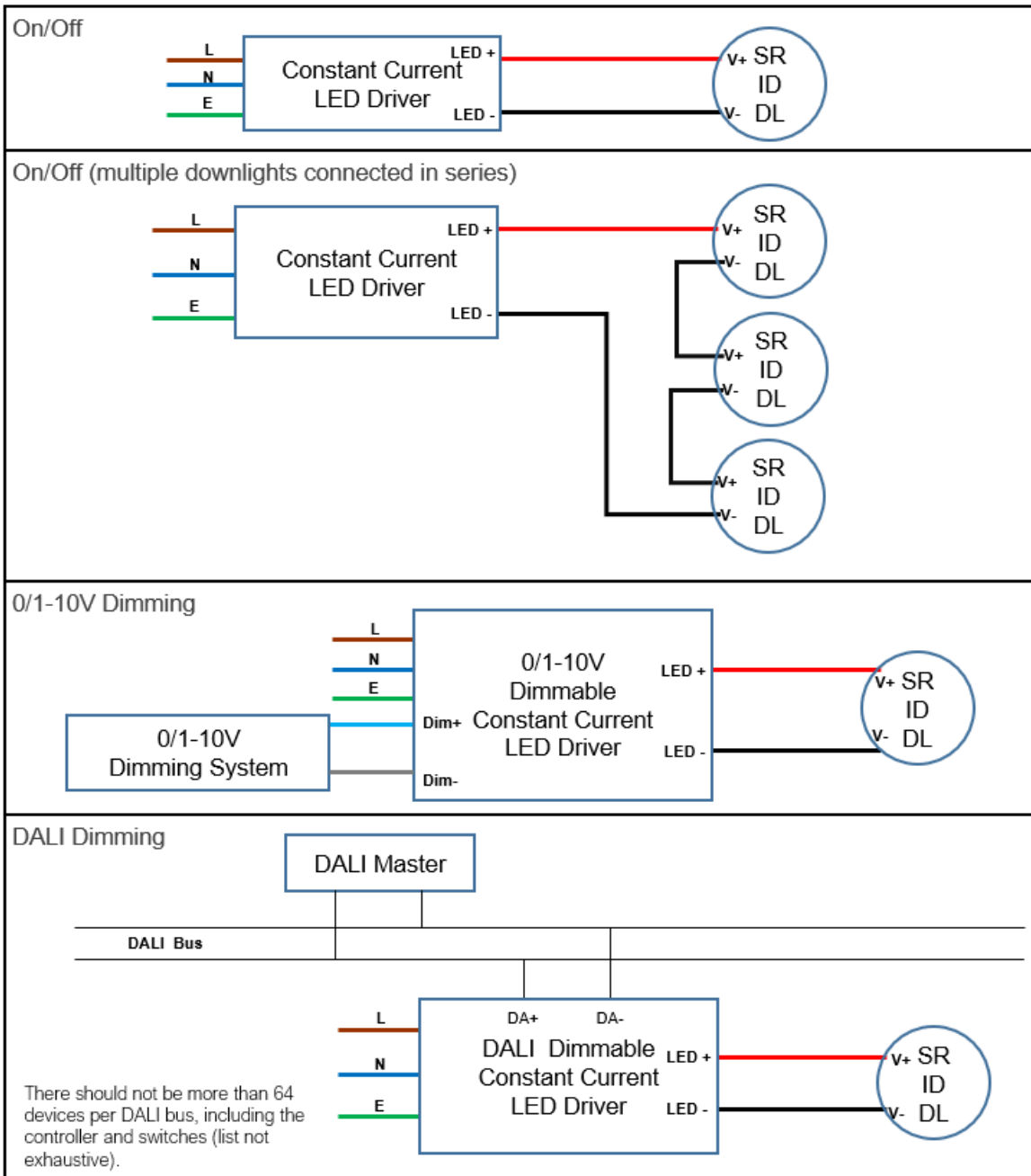
adjustable snoot

AD





CONNECTION



Consult your local sales team for other control protocols, e.g., DMX.



## ORDERING INFORMATION

Select one component from each column to specify a complete ordering code

SR ID DL Dyna L Series	Modular X	CRI/CCT	Beam Angle *	IP	Trim Color †	Reflector Color †	Accessory ‡	Module Cap
SRDYL	MX9 MX11 MX15 MX20	927 930 940 827 830 840 850	NRB <sup>^</sup> MDB WDB FLD	40 65	B W	B W MIR DRM	DF HC SPD AD SN NA	SR16 SR6

Example: SRDYL-MX15-930-WDB-40-W-MIR-NA refers to SR ID DL Dyna L Series, Modular X15 (15W), CRI Ra90+, CCT 3000K, beam angle 38°, IP40, white trim finishing with mirror reflector.

<sup>^</sup> NRB is not available for MX20.

* Beam Angle Ordering Code	Beam Angle
NRB	13°
MDB	24°
WDB	38°
FLD	50°

† Trim / Reflector Color Options	Color Description
B	black
W	white
MIR	mirror
DRM	dark mirror

‡ Accessory Options	Description
DF	diffuser
HC	honeycomb
SPD	spread lens
AD	adjustable snoot
SN	snoot
NA	no accessory

**Disclaimer:** Data might vary due to equipment tolerance. Manufacturer reserves the right to make changes to information published in this document, including without limitation specifications and product descriptions, at any time and without notice.