


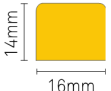



SR Contour Light

## CONT V SLM06 MONOCHROMATIC SERIES



### SUMMARY

bending  VERTICAL	min. bend radius 10cm	dimension 	max length 10m	cutting pitch 100mm
IP IP68	power 6W/m	beam 150°	color 	CRI Ra 80+ Ra 90+

### DRIVERS



### ELECTRICAL

**Supply voltage:** DC24.0V±1.0V

**Supply current:** 250mA/m typical

**Power range:** 6W/m typical

**ESD protection:** contact 4kV, air 8kV

### MECHANICAL

**Minimum bending radius:** 10cm

**Maximum length:** 10m

**Cutting pitch:** 100mm

**IP:** IP68

### LIFETIME, WARRANTY & CERTIFICATION

**Warranty:** 2 years \*

**Lifetime:** 50,000 hours, L70/B50@ta 65°C

**Certification:**

- EN 62031, EN 62471, EN 60598-1, EN 60598-2-1
- EN 55015, EN 61547
- AS/NZS 60598.1, AS/NZS 60598.2.1

\* For 5-year warranty, please consult your local sales.

### FEATURES

- Excellent thermal dissipation encapsulated with high performance grade silicone material that can be used and installed at an extreme harsh environment with temperature up to 65°C
- Designed to be UV and corrosion resistant; meet UL 94 V-0 standard
- One of the most robust products designed to withstand up to 1.5m depth (15kPa) for its submersible application
- One of the smallest bend radius, 10cm, available in market to meet various design requirements
- Beautifully crafted to have a tri-directional illumination structures
- Seamless with no dark spot even at the terminals
- High efficacy luminaire up to 83lm/W
- SR® LEDShield technology†
- Lifetime: 50,000 hours
- Wide selection of monochromatic colors

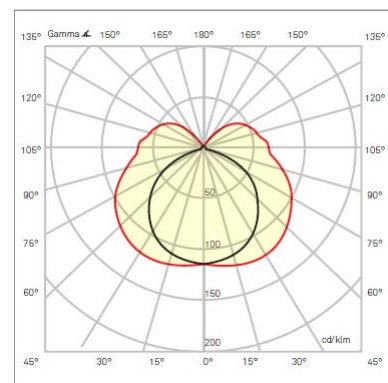
### LIGHT OUTPUT

**CRI/CCT:** 822, 824, 827, 830, 840, 850 922, 924, 927, 930, 940, 950

**Luminaire Lumen Output:**

CCT	822	824	827	830	840	850
lm/m	400	400	475	475	500	500
CCT	922	924	927	930	940	950
lm/m	325	325	385	385	410	410
Color	RED, 622.5nm	YELLOW, 590nm	GREEN, 525nm	BLUE, 467.5nm		
lm/m	135	120	230	82.5		

**Beam angle:** 150°



† SR® LEDShield technology: innovative mechanism protecting segment black out from single LED damage due to inappropriate external force applied during installation and handling.



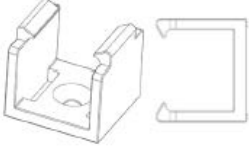
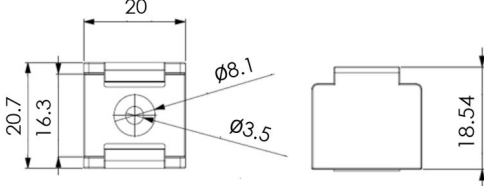
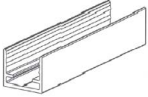

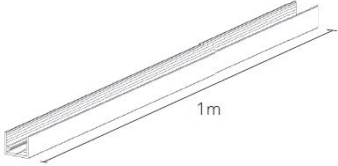


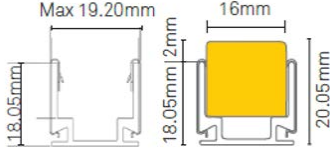
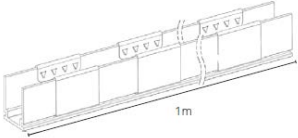
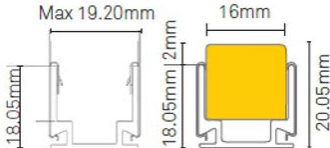
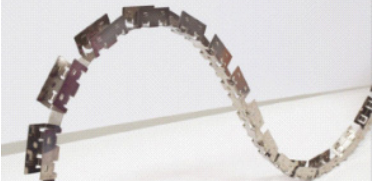
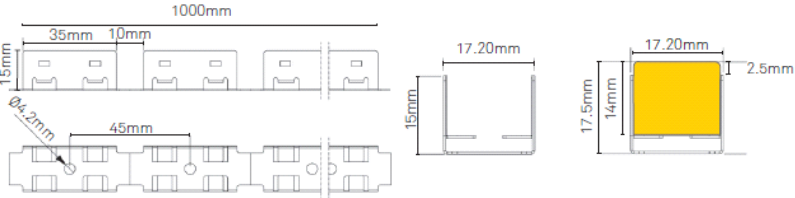
**DIMENSIONS**

<p>CONT V SLM06 Body</p>		
<p>Molded Bottom Feed-in (MB)</p>		<p>total length: L+2.5+2.0 mm</p>
<p>Molded End Feed-in (ME)</p>		<p>total length: L+4.0+2.0 mm total length does not include the 7mm protrusion of the cable strain relief</p>
<p>Molded Side Feed-in (MS) (right side only)</p>		<p>total length: L+2.5+2.0 mm</p>
<p>Tube End Cap</p>		

Molded feed-in connector come with 500mm feed-in cable.

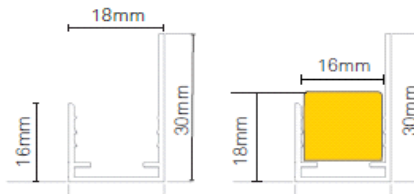
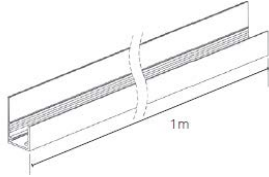


**MOUNTING ACCESSORIES**

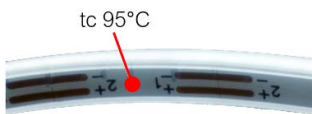
<p>Transparent PC Clip CONT V LM10 TR PC CLIP</p> 	
<p>50mm Aluminum Clip CONT V LM10 AL CLIP 50MM (not for submersible applications)</p> 	
<p>1m Aluminum Profile CONT V LM10 AL PROFILE 1M (not for submersible applications)</p> 	
<p>50mm Aluminum Clip with Anti-Skids CONT V LM10 AL CLIP AS 50MM (not for submersible applications)</p> 	
<p>1m Aluminum Profile with Anti-Skids CONT V LM10 AL PROFILE AS 1M (not for submersible applications)</p> 	
<p>1m Stainless Steel Curve Profile CONT V LM10 SS CURVE PROFILE 1M (not for submersible applications)</p> 	



1m Aluminum J Profile  
CONT V LM10 AL J-PROFILE 1M  
(not for submersible applications)

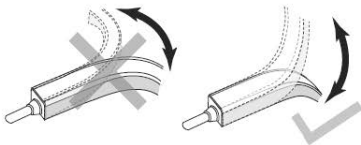


**CASE TEMPERATURE**

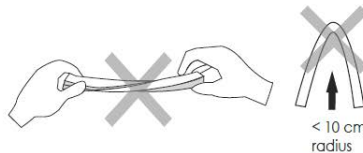


**CAUTIONS**

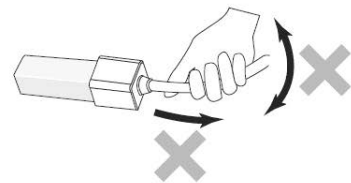
- Ensure mains power is switched OFF before carrying out installation, maintenance or replacement operations.
- The Contour Light should be installed by qualified electrical personnel and complying with local codes.
- The power supply should be sized appropriately to adequately power the load with the correct voltage and power ratings; it is generally recommended to have at least 10% power buffer.
- Lightning / Surge protection should be used if not already built into the power supply.
- **DO NOT CUT** the light strip or warranty will be voided.



**DO NOT BEND** the fixture in the wrong direction. If bent horizontally, the fixture can be damaged.



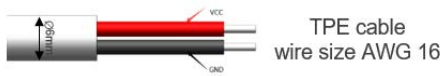
**DO NOT TWIST** the fixture or **BEND** at less than 10cm radius.



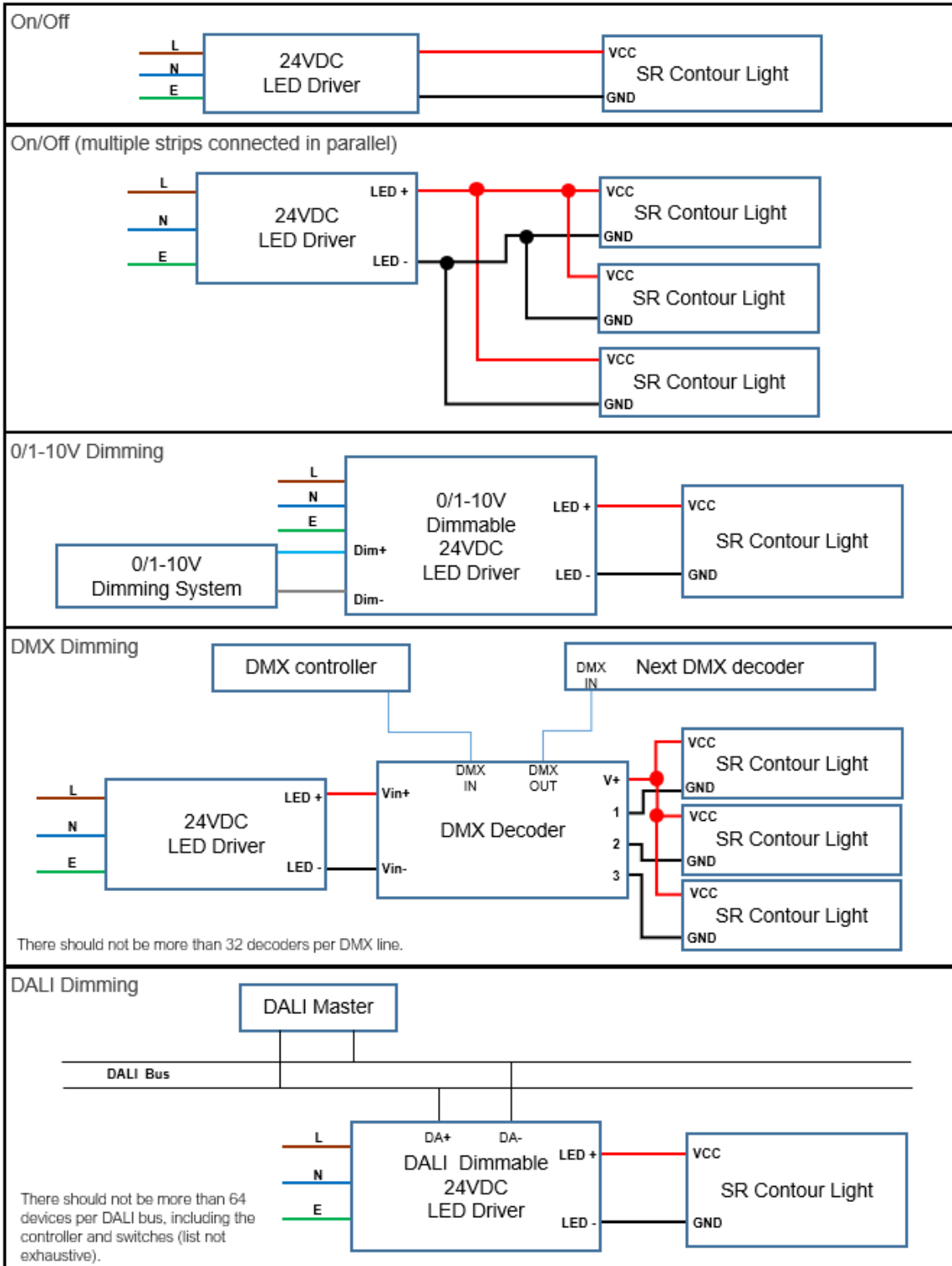
**DO NOT STRESS OR PULL HARD** on the lead-in cables, nor handle it using the feed-in cables.



**WIRING**



**CONNECTION**



# SR Contour Light CONT V SLM06 SERIES



## ORDERING INFORMATION

Select one component from each column to specify a complete ordering code

SR Contour Light	Feed-in Cable Direction	Color	Length
CONT V SLM06	MB (bottom feeder)	822	xM (x = length in meters, max 10m)
		824	
		827	
		830	
		840	
	ME (end feeder)	850	
		922	
		924	
	MS (side feeder right)	927	
		930	
		940	
		950	
		RED	
		GREEN	
		BLUE	
	YELLOW		

Example: CONT V SLM06 ME 830 10M refers to SR Contour Light CONT V SLM06 Series, molded end feed-in with tube end cap, CRI Ra80+, CCT 3000K, 10 meters in length.

Accessory Part Number	Description
CONT V LM10 TR PC CLIP	transparent PC clip
CONT V LM10 AL CLIP 50MM *	aluminum clip, 50mm
CONT V LM10 AL PROFILE 1M *	aluminum profile, 1m
CONT V LM10 AL CLIP AS 50MM *	aluminum clip with anti-skids (2pcs, 1pc per side), 50mm
CONT V LM10 AL PROFILE AS 1M *	aluminum profile with anti-skids (10pcs, 5pcs per side), 1m
CONT V LM10 AL J-PROFILE 1M *	aluminum j-profile, 1m
CONT V LM10 SS CURVE PROFILE 1M *	stainless steel curve profile, 1m

\*Accessory not intended for submersible applications.

LED Driver Part Number	Description	Estimated Maximum Strip Length L*
SAV-060N024X02HQA	60W 24V Constant Voltage LED Driver	8m
SAV-096N024X400Q	96W 24V Constant Voltage LED Driver	12m‡
SAV-150N024X625Q	150W 24V Constant Voltage LED Driver	20m‡

\* System design will vary depending on actual project configuration. Please consult your local sales support for detailed strip length calculations, connecting cable type and length calculations.

‡ Maximum single strip length is 10 meters. For configuration longer than 10 meters, please separate the strip into even lengths.

**Disclaimer:** Data might vary due to equipment tolerance. Manufacturer reserves the right to make changes to information published in this document, including without limitation specifications and product descriptions, at any time and without notice.