

SR Landscaping

APEX SERIES LED PATH LIGHT



SUMMARY

dimension	mounting	housing color	power
RD: Φ 80mm SQ: 80x80mm h: 60mm	wall recessed mount		2.3W
IP IP65	IK IK10	color 2700K 3500K 5000K 3000K 4000K	CRI Ra 90

FEATURES

- Comfortable and glare-free for pathway and orientation lighting
- Asymmetric light beam with minimal upward light spill
- No visible screws

DIMMING OPTIONS

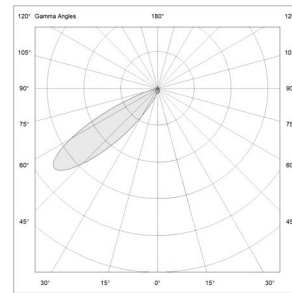


LIGHT OUTPUT

CRI/CCT: 927, 930, 935, 940, 950

Luminaire Lumen Output: 130lm

Photometry:



ELECTRICAL

Supply voltage: DC24V \pm 1.0V

System power: 2.3W

ESD Protection: contact 4kV, air 8kV

MECHANICAL

Mounting: wall recessed mount

Material: aluminum die cast with tempered glass

Cutout: 50mm

Housing color:



IP rating: IP65

IK rating: IK10

ENVIRONMENT

Ambient temperature: -20°C ... +45°C

Storage temperature: -20°C ... +65°C

Working humidity: 5% to 85%, non-condensing

LIFETIME, WARRANTY & COMPLIANCE

Warranty: 3 years

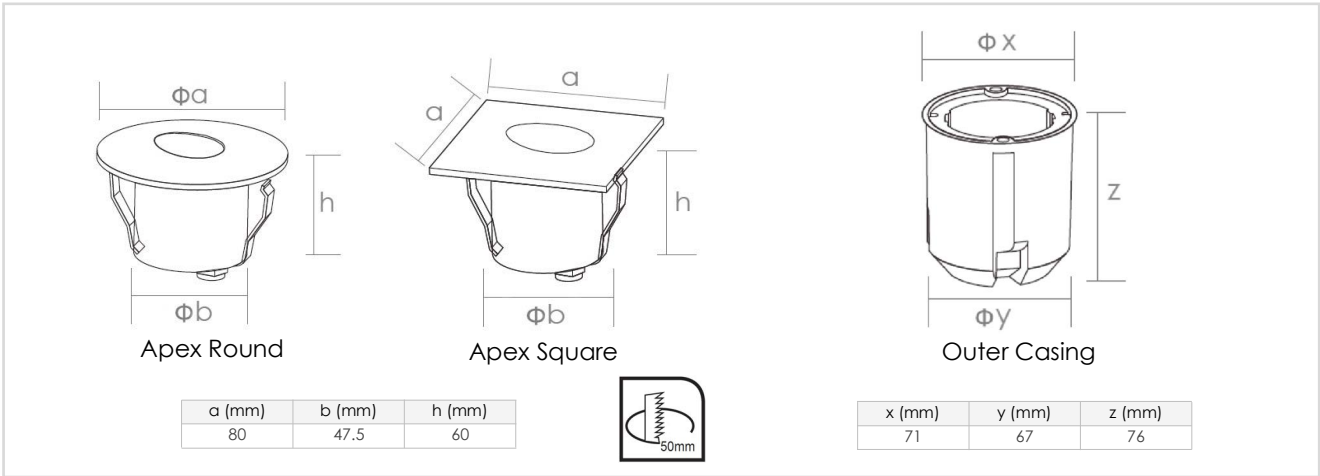
Lifetime: 50,000 hours at L70/B50 ta 30°C

Compliance: CE

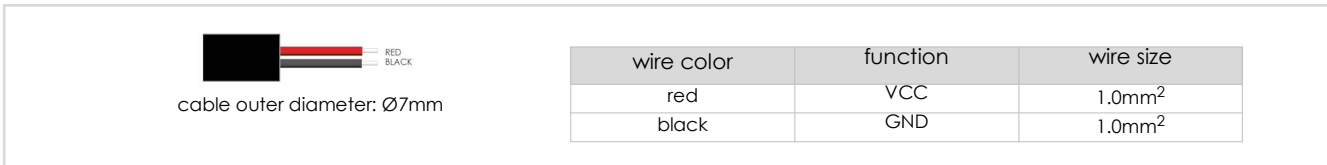
SR Landscaping APEX SERIES LED PATH LIGHT



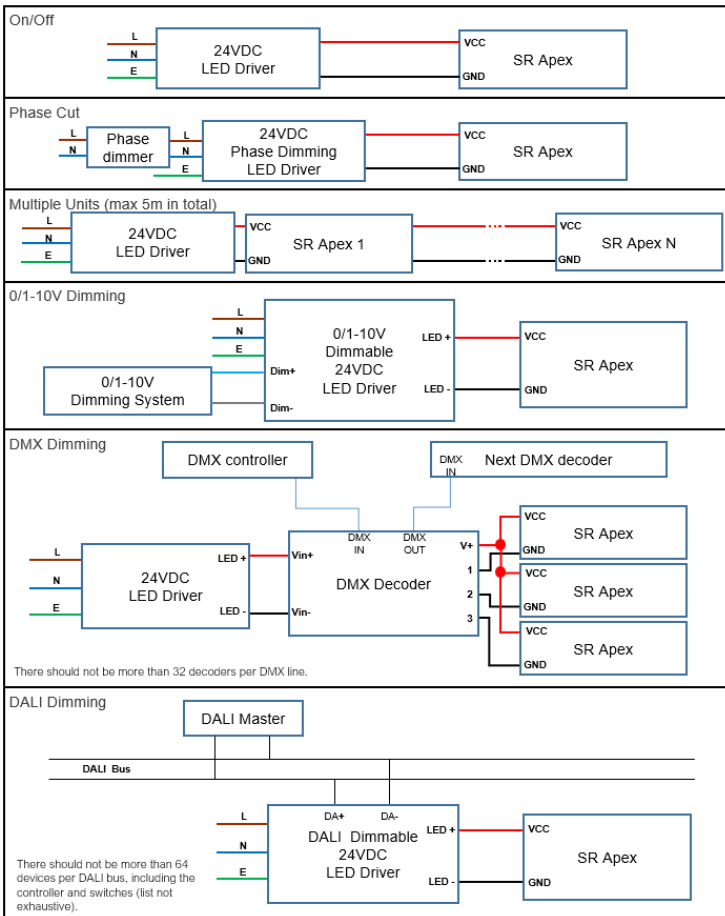
DIMENSIONS



WIRING



CONNECTIONS



SR Landscaping
APEX SERIES LED PATH LIGHT



ORDERING INFORMATION

SR Apex Series	CRI/CCT	Housing Color
SRAPX_RD	927 930 935	B W
SRAPX_SQ	940 950	

Example: SRAPX_RD 927 B refers to SR Apex LED Step Light Round Series, IP65, CRI Ra90+, CCT 2700K, with black housing.

SR Apex Accessories	Description
SRAPX_CASE	outer casing

LED Drivers	Description
SBV-040N024X167Q	40W 24V Constant Voltage LED Driver
SAV-060N024X02HQQA	60W 24V Constant Voltage LED Driver
SAV-096N024X400Q	96W 24V Constant Voltage LED Driver
SAV-150N024X625Q	150W 24V Constant Voltage LED Driver

Disclaimer: Data might vary due to equipment tolerance. Manufacturer reserves the right to make changes to information published in this document, including without limitation specifications and product descriptions, at any time and without notice.