
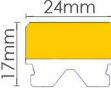





SR Contour Light CONT V TRELATI XQ MONOCHROMATIC SERIES



SUMMARY

| | | | | |
|----------------------------------------------------------------------------------------------------------|---------------------------|----------------------------------------------------------------------------------------------------------------|--------------------------------------------------------------------------------------------|-------------------------|
|  bending VERTICAL | min. bend radius 12cm |  dimension 24mm 17mm | max length 10m | cutting pitch 100mm |
| IP IP44 IP67 | power 24W/m 15.2W/m | beam 150° | color  | CRI Ra 80+ Ra 90+ |



DRIVERS



ELECTRICAL

Supply voltage: DC24.0V±1.0V

Power range and supply current:

| CONT V TRELATI IXQ | Power | Current |
|-------------------------------------------------------------------------------------|---------|----------|
|  | 24W/m | 1000mA/m |
|  | 15.2W/m | 630mA/m |

ESD protection: contact 4kV, air 8kV

MECHANICAL

Minimum bending radius: 12cm

Maximum length: 10m

Cutting pitch: 100mm

IP: IP44/IP67

LIFETIME, WARRANTY & COMPLIANCE

Warranty: 2 years*

Lifetime: 50,000 hours, L70/B50@ta 65°C

Compliance:

- EN 62031, EN 62471, EN 60598-1, EN 60598-2-1
- EN 55015, EN 61547
- AS/NZS 60598.1, AS/NZS 60598.2.1

* For 5-year warranty, please consult your local sales.

FEATURES

- Excellent thermal dissipation encapsulated with high performance grade silicone material that can be used and installed at an extreme harsh environment with temperature up to 65°C
- Designed to be UV and corrosion resistant; meet UL 94 V-0 standard
- One of the smallest bend radius, 12cm, available in market to meet various design requirements
- Beautifully crafted with tri-directional illumination while residing in the mounting profile
- Identical width between Contour body, feed-in connector and profile for seamless mounting and installation
- High uniformity with no dark spot even at the terminals
- SR® LEDShield technology†
- Lifetime: 50,000 hours

LIGHT OUTPUT

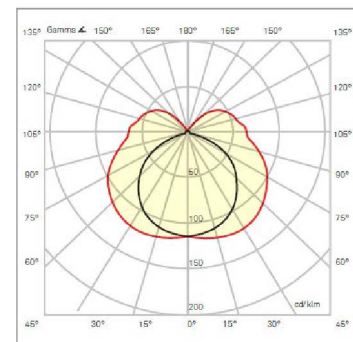
CCT: 2200K, 2400K, 2700K, 3000K, 4000K, 5000K

CCT: Ra 80+, Ra 90+

Luminaire lumen output:

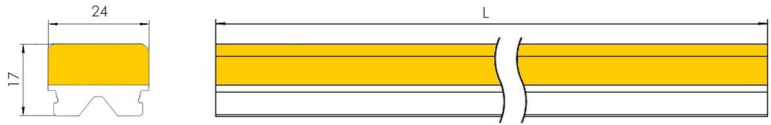
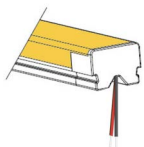
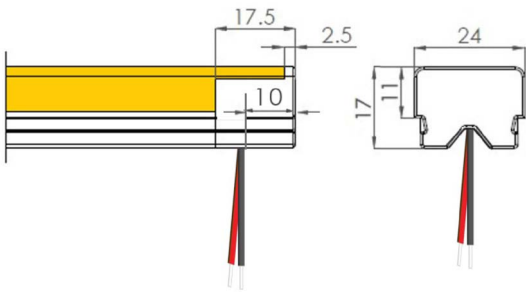
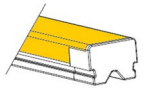
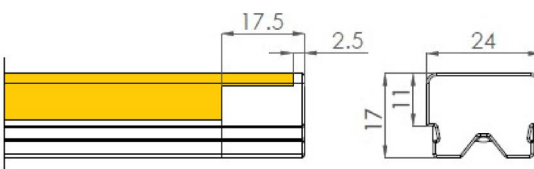
| CCT | 822 | 824 | 827 | 830 | 840 | 850 | | |
|------|--------------|------|---------------|------|--------------|------|---------------|--|
| lm/m | 1570 | 1570 | 1800 | 1850 | 1900 | 1900 | | |
| CCT | 922 | 924 | 927 | 930 | 940 | 950 | | |
| lm/m | 1270 | 1270 | 1500 | 1500 | 1570 | 1570 | | |
| CCT | RED, 622.5nm | | YELLOW, 590nm | | GREEN, 525nm | | BLUE, 467.5nm | |
| lm/m | 480 | | 460 | | 910 | | 330 | |

Beam angle: 150°



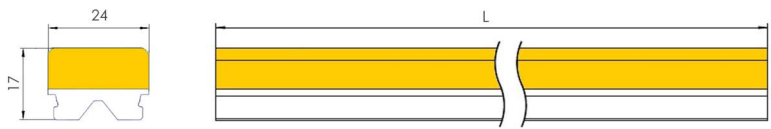
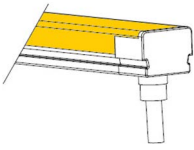
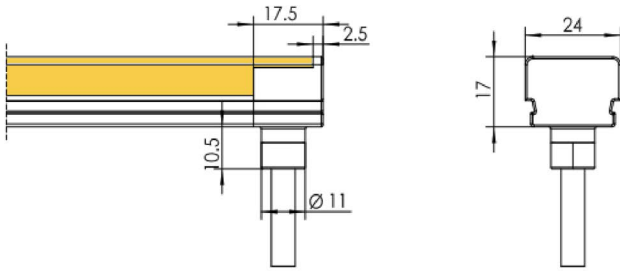
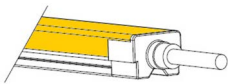
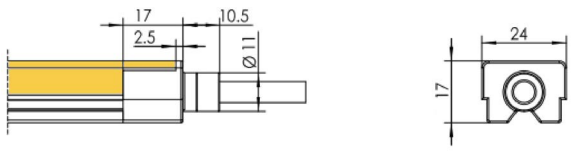
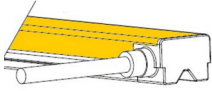
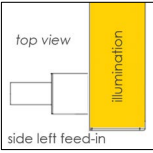
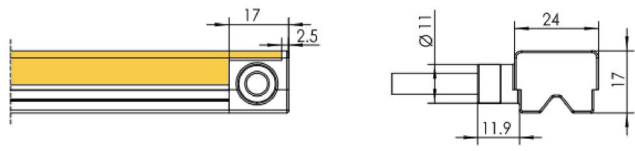
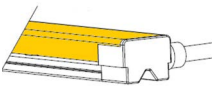
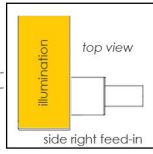
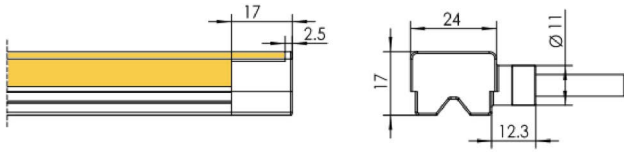
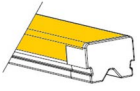
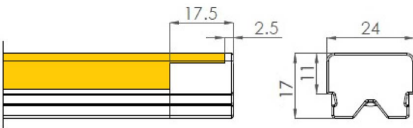
† SR® LEDShield technology: innovative mechanism protecting segment black out from single LED damage due to inappropriate external force applied during installation and handling.

DIMENSIONS - INDOOR

| | |
|--------------------------------------------------------------------------------------------------------------|-----------------------------------------------------------------------------------------------------------------------------------------------|
| <p>CONT V TRELATI IRS Body</p> |  <p style="text-align: center;">$L \leq 10m$</p> |
| <p>Wire Bottom Feed-in</p>  |  |
| <p>Injection End Cap</p>  |  |

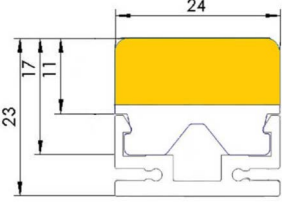
Additional length added to body length L is 5mm with any one feed-in (added 2.5mm) and end cap (added 2.5mm).

DIMENSIONS - OUTDOOR

| | |
|-------------------------------------------------------------------------------------------------------------------------------------------------------------------------------------------------------------------|-----------------------------------------------------------------------------------------------------------------------------------------------|
| <p>CONT V TRELATI OXQ Body</p> |  <p style="text-align: center;">$L \leq 10m$</p> |
| <p>Injection Bottom Feed-in (JB)</p>  |  |
| <p>Injection End Feed-in (JE)</p>  |  |
| <p>Injection Side Left Feed-in (JSL)</p>   |  |
| <p>Injection Side Right Feed-in (JSR)</p>   |  |
| <p>Injection End Cap</p>  |  |

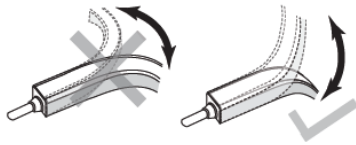
Additional length added to body length L is 5mm with any one feed-in (added 2.5mm) and end cap (added 2.5mm).

MOUNTING ACCESSORIES

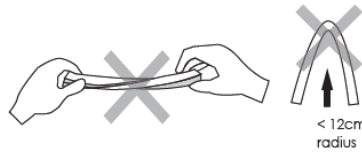
| | |
|--------------------------------------------------------------------------------------------------------------------------------------------------------------------------|-----------------------------------------------------------------------------------|
| <p>50mm Aluminum Clip CONT V TRELATI XQ AL CLIP</p> |  |
| <p>1005mm Aluminum Profile CONT V TRELATI XQ AL PROFILE JBE CONT V TRELATI XQ AL PROFILE JSL CONT V TRELATI XQ AL PROFILE JSR</p> | |

CAUTIONS

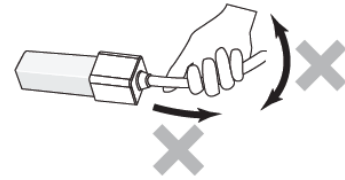
- Ensure mains power is switched OFF before carrying out installation, maintenance or replacement operations.
- The Contour Light should be installed by qualified electrical personnel and complying with local codes.
- The power supply should be sized appropriately to adequately power the load with the correct voltage and power ratings; it is generally recommended to have at least 10% power buffer.
- Lightning / Surge protection should be used if not already built into the power supply.
- **DO NOT CUT** the light strip or warranty will be voided.



DO NOT BEND the fixture in the wrong direction. If bent horizontally, the fixture can be damaged.



DO NOT TWIST the fixture or **BEND** at less than 12cm radius.

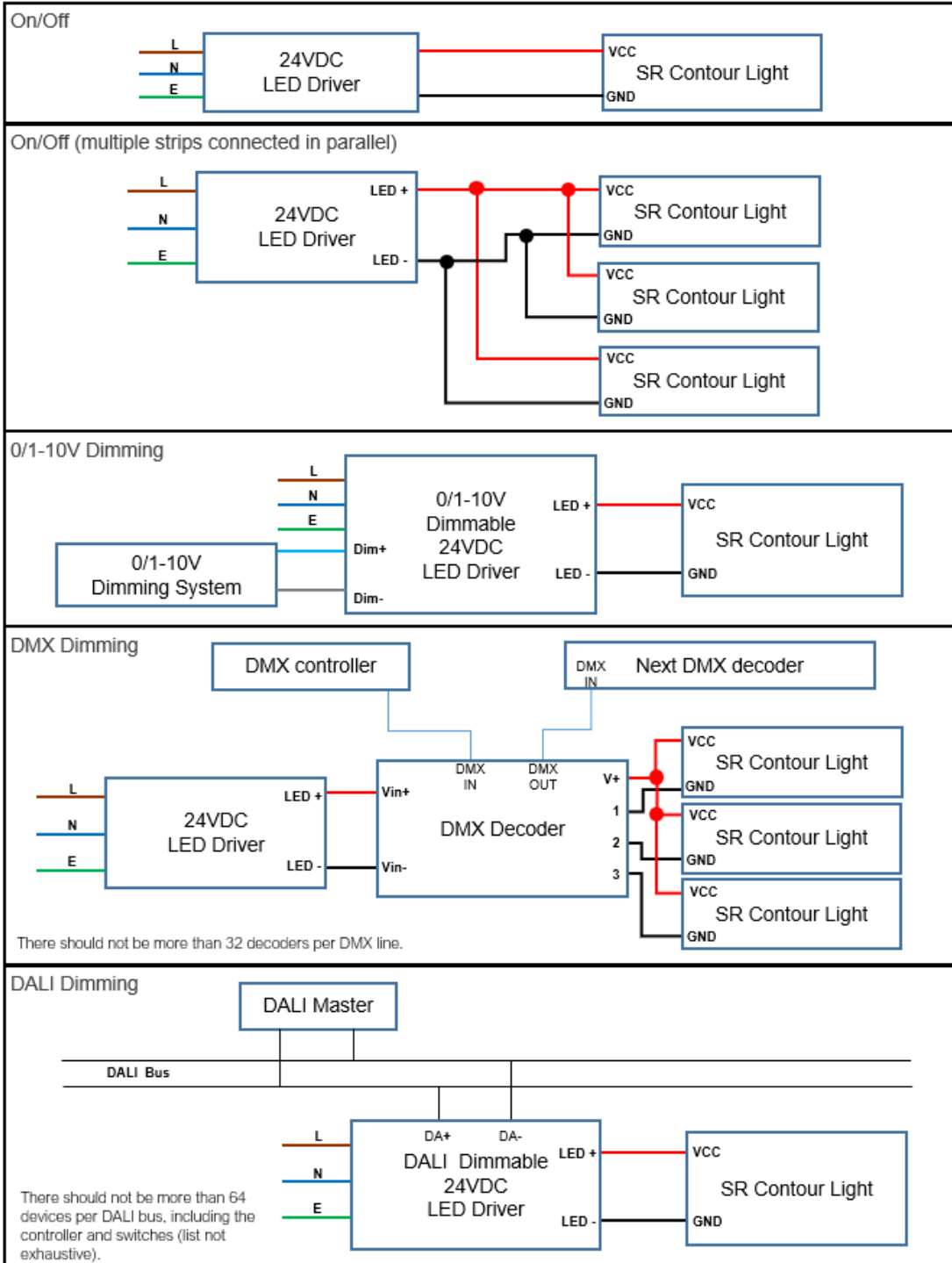


DO NOT STRESS OR PULL HARD on the lead-in cables, nor handle it using the feed-in cables.

WIRING

| Indoor | Outdoor |
|--------|---------|
| | |

CONNECTION



SR Contour Light CONT V TRELATI I/OXQ SERIES



ORDERING INFORMATION

| SR Contour Light | Model | Feed-in Cable Direction † | Color | Length |
|------------------|-------|---------------------------|---------------------------------------------------------------------------------------------------|---------------------------------------|
| CONT V TRELATI | IXQ24 | WB | 822 824 827 830 840 850 922 924 927 930 940 950 GREEN BLUE | xM (x = length in meters, max 10m) |
| | IXQ15 | | RED YELLOW | |
| | OXQ24 | JB JE JSR JSL | 822 824 827 830 840 850 922 924 927 930 940 950 GREEN BLUE | |
| | OXQ15 | | RED YELLOW | |

†Note:

| Feed-in Cable Direction | Description |
|-------------------------|-------------------|
| WB | bottom feeder |
| JB | bottom feeder |
| JE | end feeder |
| JSL | side left feeder |
| JSR | side right feeder |

Example:

CONT V TRELATI IXQ24 WB 930 10M refers to SR Contour Light CONT V TRELATI IXQ24 Indoor Series, CRI Ra 90+, CCT 3000K, wire bottom feed-in, 10meters in length.

CONT V TRELATI OXQ24 JB 830 10M refers to SR Contour Light CONT V TRELATI OXQ24 Outdoor Series, CRI Ra 80+, CCT 3000K, injection bottom feed-in, 10meters in length.

| Accessory Part Number | Description |
|----------------------------------|-------------------------------------------------|
| CONT V TRELATI XQ AL CLIP | aluminum clip, 50mm |
| CONT V TRELATI XQ AL PROFILE JBE | aluminum profile for bottom end feed-in, 1005mm |
| CONT V TRELATI XQ AL PROFILE JSL | aluminum profile for side left feed-in, 1005mm |
| CONT V TRELATI XQ AL PROFILE JSR | aluminum profile for side right feed-in, 1005mm |

| LED Driver Part Number | Description |
|------------------------|--------------------------------------|
| SAV-060N024X02HQA | 60W 24V Constant Voltage LED Driver |
| SAV-096N024X400Q | 96W 24V Constant Voltage LED Driver |
| SAV-150N024X625Q | 150W 24V Constant Voltage LED Driver |

* System design will vary depending on actual project configuration. Please consult your local sales support for detailed strip length calculations, connecting cable type and length calculations

Disclaimer: Data might vary due to equipment tolerance. Manufacturer reserves the right to make changes to information published in this document, including without limitation specifications and product descriptions, at any time and without notice.