


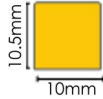


SR Contour Light

CONT V FINO MONOCHROMATIC SERIES



SUMMARY

 bending VERTICAL	min. bend radius 4cm	dimension 	max length 5m	cutting pitch 62.5mm
IP IP44 IP67	power 2.4W/m 4.8W/m 7.2W/m 9.6W/m 12W/m	beam 120°	color 2200K 3000K 2400K 4000K 2700K 5000K	CRI Ra 80+ Ra 90+

DIMMING OPTIONS



ELECTRICAL

Supply voltage: DC24.0V±1.0V

Power range and supply current:

Model	Power	Current
IJJ02 / OJJ02	2.4W/m	100mA/m
IJJ04 / OJJ04	4.8W/m	200mA/m
IJJ07 / OJJ07	7.2W/m	375mA/m
IJJ09 / OJJ09	9.6W/m	400mA/m
IJJ12 / OJJ12	12W/m	500mA/m

ESD protection: contact 4kV, air 8kV

MECHANICAL

Minimum bending radius: 4cm

Maximum length: 5m

Cutting pitch: 62.5mm

IP: IP44/IP67

LIFETIME, WARRANTY & COMPLIANCE

Warranty: 2 years*

Lifetime: 50,000 hours, L70/B50@ta 65°C

Compliance:

- EN 62031, EN 62471, EN 60598-1, EN 60598-2-1
- EN 55015, EN 61547
- AS/NZS 60598.1, AS/NZS 60598.2.1

* For 5-year warranty, please consult your local sales.

FEATURES

- Excellent thermal dissipation encapsulated with high performance grade silicone material that can be used and installed at an extreme harsh environment with temperature up to 65°C
- Designed to be UV and corrosion resistant; compliant to UL 94 V-0 flame-retardant standard
- Beautifully crafted to have an slim body with 10mm, in a top illumination structure for vertical bending
- Ultra small bending radius (4cm) to meet various design requirements
- Seamless with no dark spot even at the terminals
- SR® LEDShield technology†
- Lifetime: 50,000 hours
- Wide selection of monochromatic colors

LIGHT OUTPUT

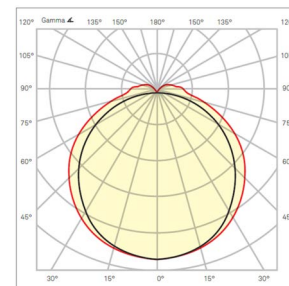
Luminaire lumen output:

Power Model	822	824	827	830	840	850
IJJ02 / OJJ02	139	145	151	157	165	165
IJJ04 / OJJ04	278	289	301	314	329	329
IJJ07 / OJJ07	416	434	452	471	494	494
IJJ09 / OJJ09	555	578	602	628	659	659
IJJ12 / OJJ12	694	723	753	784	824	824

Power Model	922	924	927	930	940	950
IJJ02 / OJJ02	131	136	142	148	155	155
IJJ04 / OJJ04	262	273	284	296	311	311
IJJ07 / OJJ07	393	409	426	444	466	466
IJJ09 / OJJ09	524	546	568	592	622	622
IJJ12 / OJJ12	655	682	710	740	777	777

LED binning: single bin, 3 SDCM

Beam angle: 120°



ENVIRONMENT

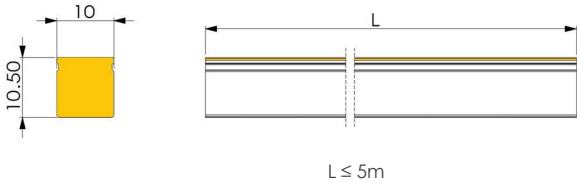
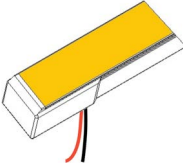
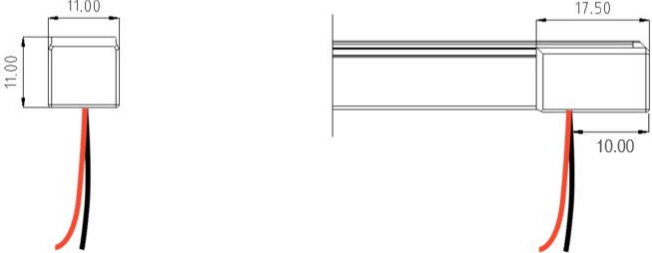
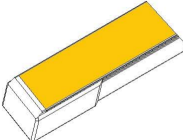
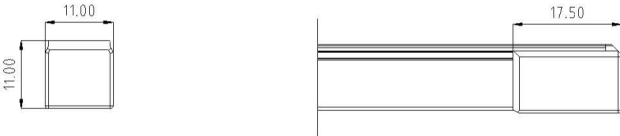
Ambient temperature: -40°C ... +65°C

Storage temperature: -40°C ... +85°C

Working humidity: 5% to 85%, non-condensing

† SR® LEDShield technology: innovative mechanism protecting segment black out from single LED damage due to inappropriate external force applied during installation and handling.

DIMENSIONS - INDOOR

<p>CONT FINO JJ Body</p>	 <p>10 10.50 L L ≤ 5m</p>
<p>Wire Bottom Feed-in</p> 	 <p>11.00 11.00 17.50 10.00</p>
<p>Injection End Cap</p> 	 <p>11.00 11.00 17.50</p>

Additional length added to body length L is 5mm with any one feed-in (added 2.5mm) and end cap (added 2.5mm).



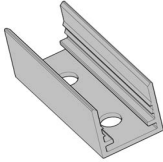
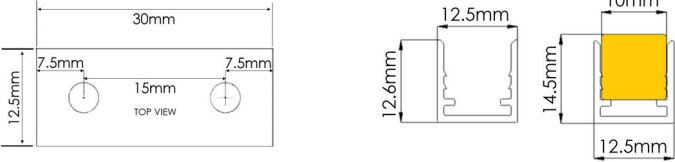

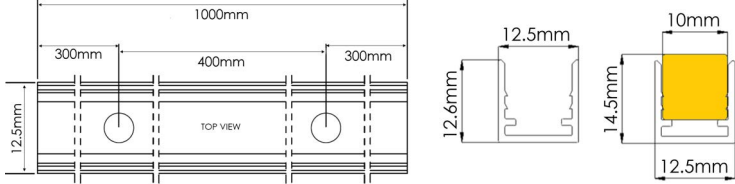
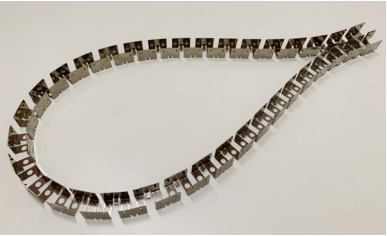
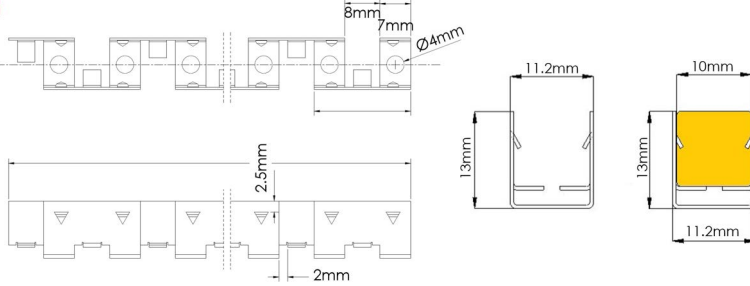
DIMENSIONS - OUTDOOR

<p>CONT FINO JJ Body</p>	<p style="text-align: center;">$L \leq 5m$</p>
<p>Injection Bottom Feed-in (JB)</p>	
<p>Injection End Feed-in (JE)</p>	
<p>Injection Side Left Feed-in (JSL)</p>	
<p>Injection Side Right Feed-in (JSR)</p>	
<p>Injection End Cap</p>	

Additional length added to body length L is 5mm with feed-in (added 2.5mm) and end cap (added 2.5mm). Feed-in comes with 500mm feed-in wires.

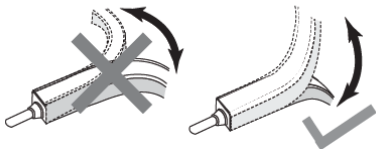


MOUNTING ACCESSORIES

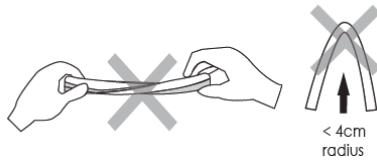
<p>30mm Aluminum Clip with Pre-drill Holes CONT FINO JJ AL CLIP 30MM</p> 	
<p>1m Aluminum Profile with Pre-drill Holes CONT FINO JJ JBE AL PROFILE 1M CONT FINO JJ JSL AL PROFILE 1M CONT FINO JJ JSR AL PROFILE 1M</p> 	
<p>1m Stainless Steel Curve Profile CONT FINO JJ SS CURVE PROFILE 1M</p> 	

CAUTIONS

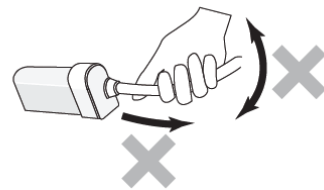
- Ensure mains power is switched OFF before carrying out installation, maintenance or replacement operations.
- The Contour Light should be installed by qualified electrical personnel and complying with local codes.
- The power supply should be sized appropriately to adequately power the load with the correct voltage and power ratings; it is generally recommended to have at least 10% power buffer.
- Lightning / surge protection should be used if not already built into the power supply.
- **DO NOT CUT** the light strip or warranty will be voided.



DO NOT BEND the fixture in the wrong direction. If bent horizontally, the fixture could be damaged.



DO NOT TWIST the fixture or **BEND** at less than 4cm radius.

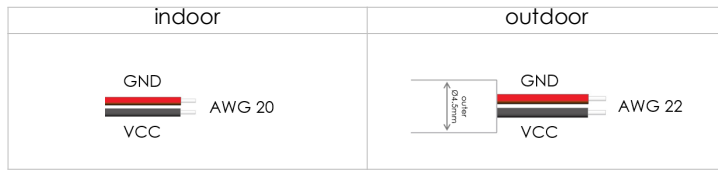


DO NOT STRESS OR PULL HARD on the lead-in cables, nor handle it using the feed-in cables.

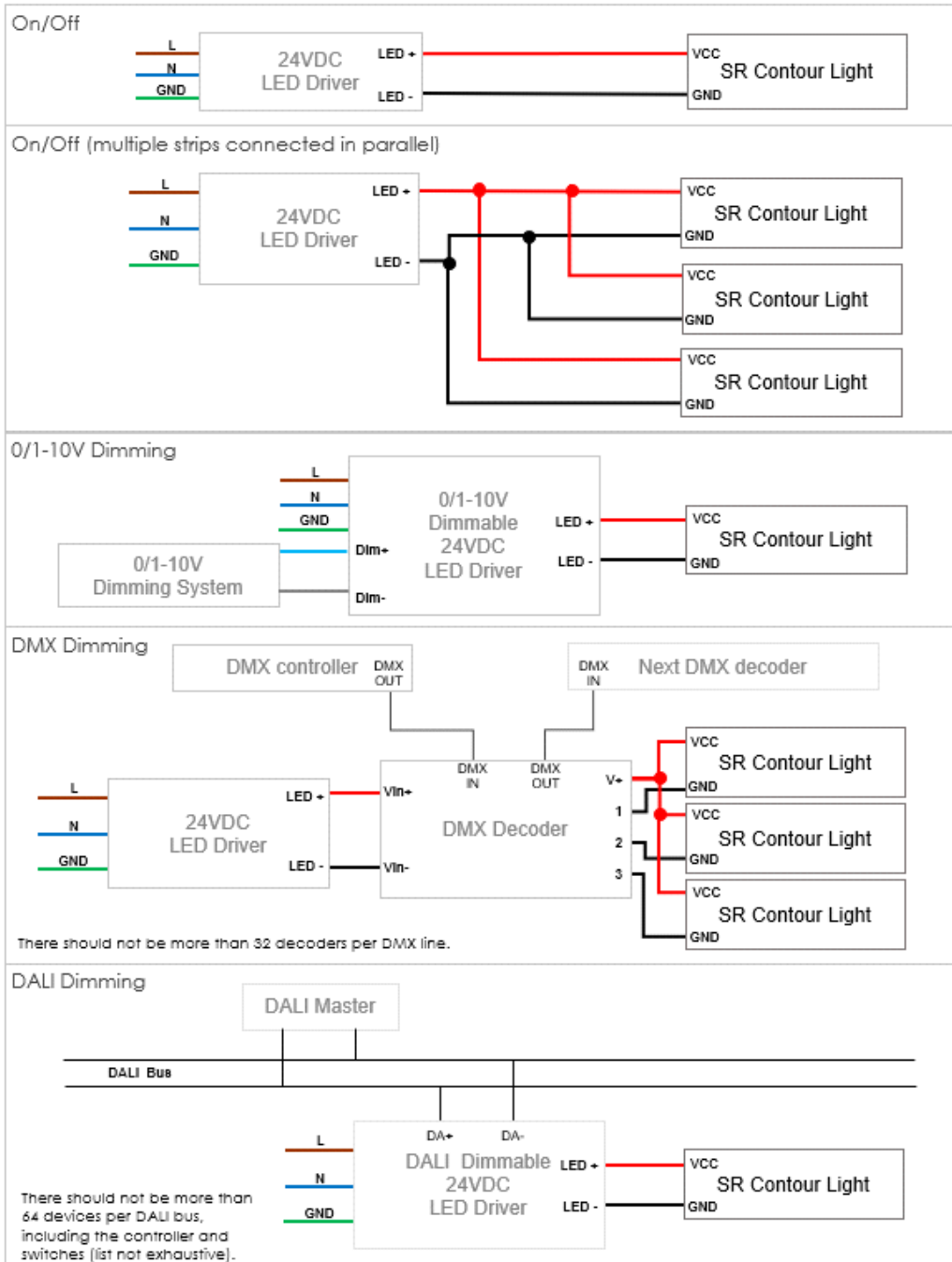
SR Contour Light CONT V FINO MONOCHROMATIC SERIES



WIRING



CONNECTION



Connection diagrams are for reference only. Contact our sales team for consultation on detailed wiring.

SR Contour Light
CONT V FINO MONOCHROMATIC SERIES



ORDERING INFORMATION

SR Contour Light	Power Model	Feed-in Cable Direction	Color	Length	
CONT V FINO	IJJ02	WB	822	xM (x = length in meters, max 5m)	
	IJJ04		824		
	IJJ07		827		
	IJJ09		830		
	IJJ12		840		
			850		
	OJJ02	JB	922		
	OJJ04		924		
	OJJ07		927		
	OJJ09		930		
	OJJ12		940		
			950		
			JE		
			JSL		
	JSR				

†Note:

Feed-in Wire/ Cable Direction	Description
WB	bottom feeder
JB	bottom feeder
JE	end feeder
JSL	side feeder left
JSR	side feeder right

Example:

CONT V FINO IJJ09 WB 930 5M refers to SR Contour Light CONT V FINO Indoor Series, vertical bend, 9.6W/m, wire bottom feed-in, CRI Ra 90+, CCT 3000K, 5meters in length.

CONT V FINO OJJ07 JB 830 5M refers to SR Contour Light CONT V FINO Outdoor Series, vertical bend, 7.2W/m, injection bottom feed-in, CRI Ra 80+, CCT 3000K, 5meters in length.

Accessory Ordering Code	Description
CONT FINO JJ AL CLIP AS 30MM	aluminum clip, 30mm
CONT FINO JJ JBE AL PROFILE AS 1M	aluminum profile for bottom feed-in and end feed-in, 1m
CONT FINO JJ JSL AL PROFILE AS 1M	aluminum profile for side left feed-in and end feed-in, 1m
CONT FINO JJ JSR AL PROFILE AS 1M	aluminum profile for side right feed-in and end feed-in, 1m
CONT FINO JJ SS CURVE PROFILE 1M	stainless steel curve profile, 1m

LED Driver Ordering Code	Description
SBV 040N024X167Q	40W 24V Constant Voltage LED Driver
SAV-060N024X02HQA	60W 24V Constant Voltage LED Driver
SAV-096N024X400Q	96W 24V Constant Voltage LED Driver
SAV-150N024X625Q	150W 24V Constant Voltage LED Driver

Note: System design will vary depending on actual project configuration. Please consult your local sales support for details in length in series connection, connecting cable type and lengths.0

Disclaimer: Data might vary due to equipment tolerance. Manufacturer reserves the right to make changes to information published in this document, including without limitation specifications and product descriptions, at any time and without notice.