
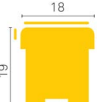



SR Contour Light

# CONT V AURAS OUTDOOR PX SPI RGB-W SERIES



## SUMMARY

bend dir.  VERTICAL	min bend radius 10cm	dimension 	max length 8m	cutting pitch 100mm
IP IP67	power 16.3W/m	beam 120°	color  2200K 3000K +2400K 4000K 2700K 5000K	pixel/m 10

## DIMMING OPTION



## ELECTRICAL

**Supply voltage:** DC24.0V±1.0V

**Power range and supply current:**

Power	Current
16.3W/m	680mA/m

**ESD protection:** contact 4kV, air 8kV

**Pixels per meter:** 10

## MECHANICAL

**Minimum bending radius:** 10cm

**Maximum length:** 8m

**Cutting pitch:** 100mm

**IP:** IP67

## LIFETIME, WARRANTY & COMPLIANCE

**Warranty:** 2 years\*

**Lifetime:** 50,000 hours, L70/B50 at ta 65°C

**Compliance:**

- EN 62031, EN 62471, EN 60598-1, EN 60598-2-1
- EN 55015, EN 61547
- AS/NZS 60598.1, AS/NZS 60598.2.1

\* For 5-year warranty, please consult your local sales.

## FEATURES

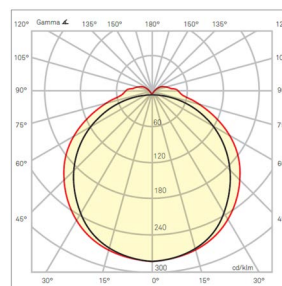
- Excellent thermal dissipation encapsulated with high performance grade silicone material with operating temperature up to maximum ta 65°C
- Designed to be UV and corrosion resistant; compliant to UL 94 V-0 flame-retardant standard
- Seamless with no dark spot even at the terminals
- Lifetime: 50,000 hours
- Direct Artnet-to-SPI interlace; 3072 channels per SPI output line; synchronized Artnet data through ArtSync
- Linear daisy-chain of Artnet-to-SPI interfaces of up to 36 controllers per line
- Maximum operational frame rate: 48fps
- Up to 152m of Contour Light daisy-chained data lines per controller
- Up to 50m input shield twisted pair data cable from controller to Contour Light

## LIGHT OUTPUT

**Luminaire Lumen Output†:**

Color	RED, 621nm		GREEN, 532nm		BLUE, 467nm	
lm/m	77		171		31	
CCT	822	824	827	830	840	850
lm/m	245	255	275	286	296	296
CCT	922	924	927	930	940	950
lm/m	210	218	236	245	253	253

**Beam angle:** 120°



## ENVIRONMENT

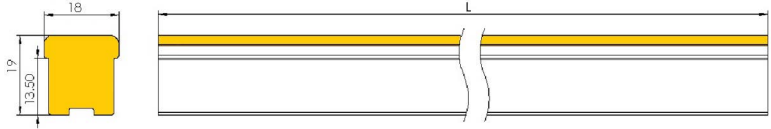
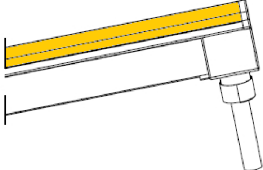
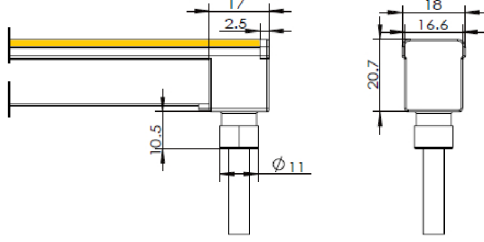
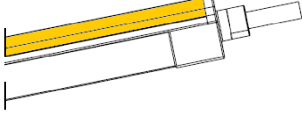
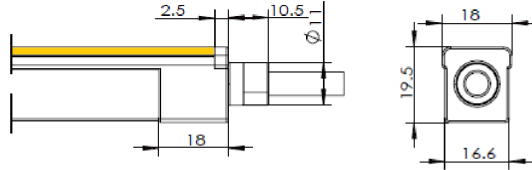
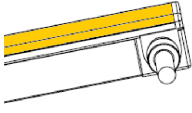
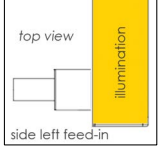
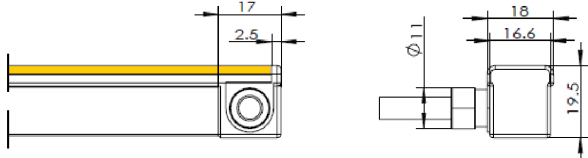
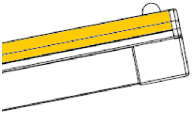
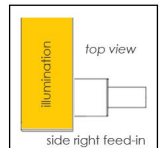
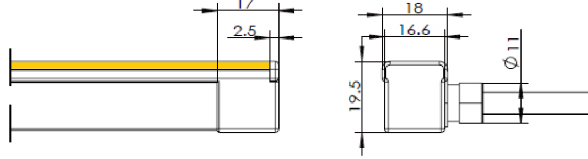
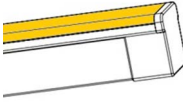
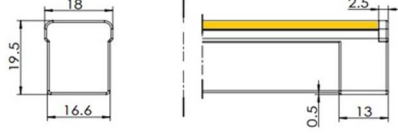
**Ambient temperature:** -40°C ... +65°C

**Storage temperature:** -40°C ... +85°C

**Working humidity:** 5% to 85%, non-condensing

† Total luminaire lumen output for CONT V AURAS ORS16 PX SPI RGB-W 830 is 565lm/m and CONT V AURAS ORS16 PX SPI RGB-W 930 is 525lm/m.

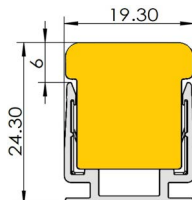
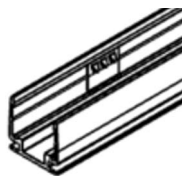
**DIMENSIONS**

<p>CONT V AURAS ORS Body</p>	 <p style="text-align: center;"><math>L \leq 8m</math></p>
<p>Injection Bottom Feed-in (JB)</p> 	
<p>Injection End Feed-in (JE)</p> 	
<p>Injection Side Left Feed-in (JSL)</p>  	
<p>Injection Side Right Feed-in (JSR)</p>  	
<p>Injection End Cap</p> 	

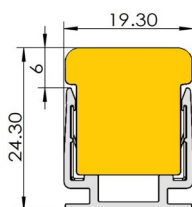
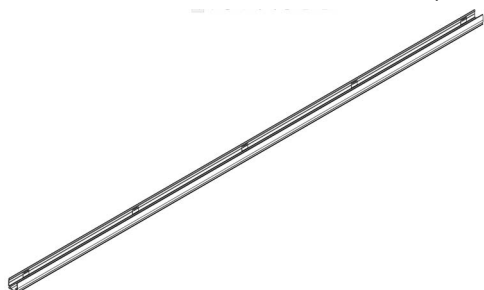
Additional length added to body length L is 5mm with any one feed-in (added 2.5mm) and end cap (added 2.5mm).

**MOUNTING ACCESSORIES**

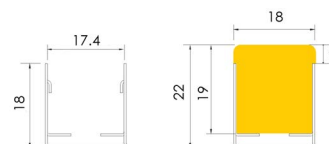
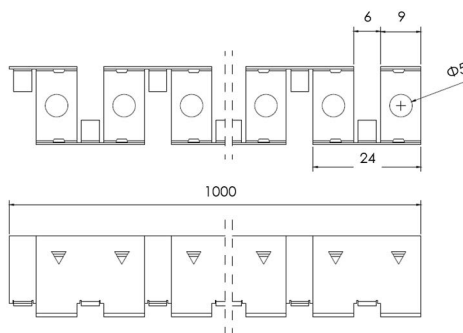
CONT AURAS RS AL CLIP 50MM



CONT AURAS RS JBE AL PROFILE AS 1M (aluminum profile with anti-skids for bottom feed-in and end feed-in, 1m)  
 CONT AURAS RS JSL AL PROFILE AS 1M (aluminum profile with anti-skids for side left feed-in, 1m)  
 CONT AURAS RS JSR AL PROFILE AS 1M (aluminum profile with anti-skids for side right feed-in, 1m)



CONT AURAS SS CURVE PROFILE 1M (stainless steel curve profile, 1m)





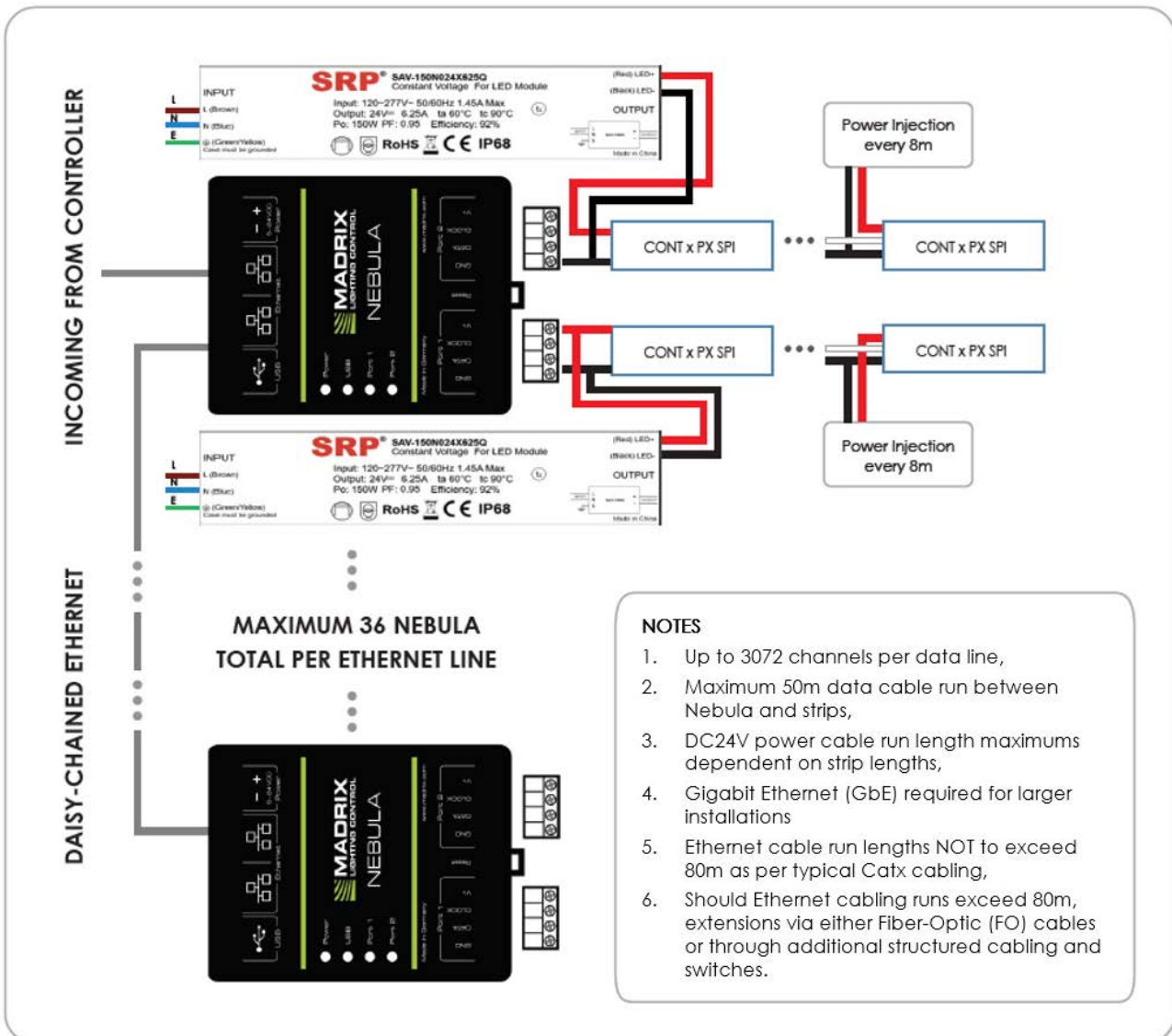
**WIRING**

input/output

TPE cable outer diameter: Ø6mm

wire color	function	wire size
red	VCC	AWG 18
black	GND	AWG 18
white	DATA	AWG 18

**CONNECTIONS**



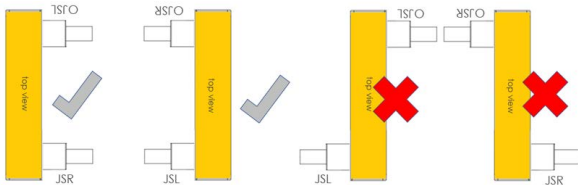
# SR Contour Light CONT V AURAS OUTDOOR PX SPI RGB-W



## ORDERING INFORMATION

SR Contour Light	Model	Feed-in Cable Direction	Feed-out Cable Direction	Signal Control	Color	CCT	Length
CONT V AURAS	ORS16	JB (bottom feeder)	OJB (bottom feeder)	PX SPI	RGB-W	822	xM (x = length in meters, max 8m)
		JE (end feeder)	OJE (end feeder)			824	
		JSL * (side feeder left)	OJSL * (side feeder left)			827	
		JSR * (side feeder right)	OJSR * (side feeder right)			830	
		<empty> (no output)				840	
						850	
						922	
		924					
		927					
		930					
		940					
		950					

\* Note on Side Feed-in and Side Feed-out



Example:

**CONT V AURAS ORS16 JB OJB PX SPI RGB-W 830 8M** refers to SR Contour Light CONT V AURAS OUTDOOR PX SPI RGB-W Series, SPI control pixelated RGB-W with white (CRI Ra80+, CCT 3000K), injection bottom feed-in, injection bottom feed-out, 8meters in length.

**CONT V AURAS ORS16 JB PX SPI RGB-W 830 8M** refers to SR Contour Light CONT V AURAS OUTDOOR PX SPI RGB-W Series, SPI control pixelated RGB-W with white (CRI Ra80+, CCT 3000K), injection bottom feed-in, no feed-out, 8meters in length.

Accessory Ordering Code	Description
CONT AURAS RS AL CLIP AS 50MM	aluminum clip with anti-skids, 50mm
CONT AURAS RS JBE AL PROFILE AS 1M	aluminum profile with anti-skids for bottom feed-in and end feed-in, 1m
CONT AURAS RS JSL AL PROFILE AS 1M	aluminum profile with anti-skids for side left feed-in, 1m
CONT AURAS RS JSR AL PROFILE AS 1M	aluminum profile with anti-skids for side right feed-in, 1m
CONT AURAS SS CURVE PROFILE 1M	stainless steel curve profile, 1m

LED Drivers	Description
SBV-040N024X167Q	40W 24V Constant Voltage LED Driver
SAV-060N024X02HQA	60W 24V Constant Voltage LED Driver
SAV-096N024X400Q	96W 24V Constant Voltage LED Driver
SAV-150N024X625Q	150W 24V Constant Voltage LED Driver

Note: System design will vary depending on actual project configuration. Please consult your local sales support for details in length in series connection, connecting cable type and lengths.

**Disclaimer:** Data might vary due to equipment tolerance. Manufacturer reserves the right to make changes to information published in this document, including without limitation specifications and product descriptions, at any time and without notice.